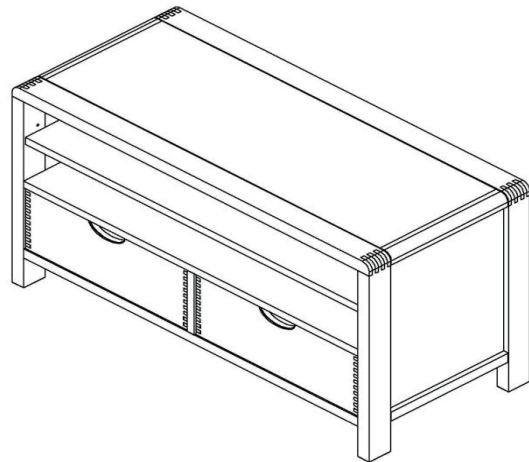


Bosco

I395 TV unit

ercol

Thank you for purchasing this bosco tv unit. Please read the instructions carefully before use to ensure safe and satisfactory operation of this product.



Care and maintenance

Wood Furniture

Wood displays different grain patterns depending on which way it is cut - for example, the 'medullary ray' which can appear on oak furniture is a mark of good quality timber - these are just characteristics of the natural beauty of the wood. Some furniture is also deliberately aged and rustic.

All timber surfaces will change colour and mellow over time. New furniture will initially vary in shade from items that have been previously purchased.

How to care for your wood furniture

Furniture with a hard lacquer, wax polish or painted surface should be dusted with a dry cloth.

Spray polishes are best avoided as they contain silicones which may spoil the furniture's surface by building up over time. Wipe up spills immediately. If sticky marks occur on the surface they can be removed with a dilute solution of warm soapy water.

Our furniture will endure most temperatures in the home but it is best to avoid placing furniture next to heat sources such as radiators or fires. Be particularly careful with solid wood as the lack of humidity caused by central heating can cause damage such as warping.

Safety Instructions

Never drag furniture when moving it, always lift it. Please take care when handling or moving the furniture as careless handling may cause damage or injury. No liability will be accepted for damage or injury caused by incorrectly installed furniture.

PLEASE KEEP THESE INSTRUCTIONS FOR FUTURE REFERENCE

Ercol Furniture Ltd, Summerleys Road, Princes Risborough, Buckinghamshire. HP27 9PX

www.ercol.com

Ref: 00237/I395