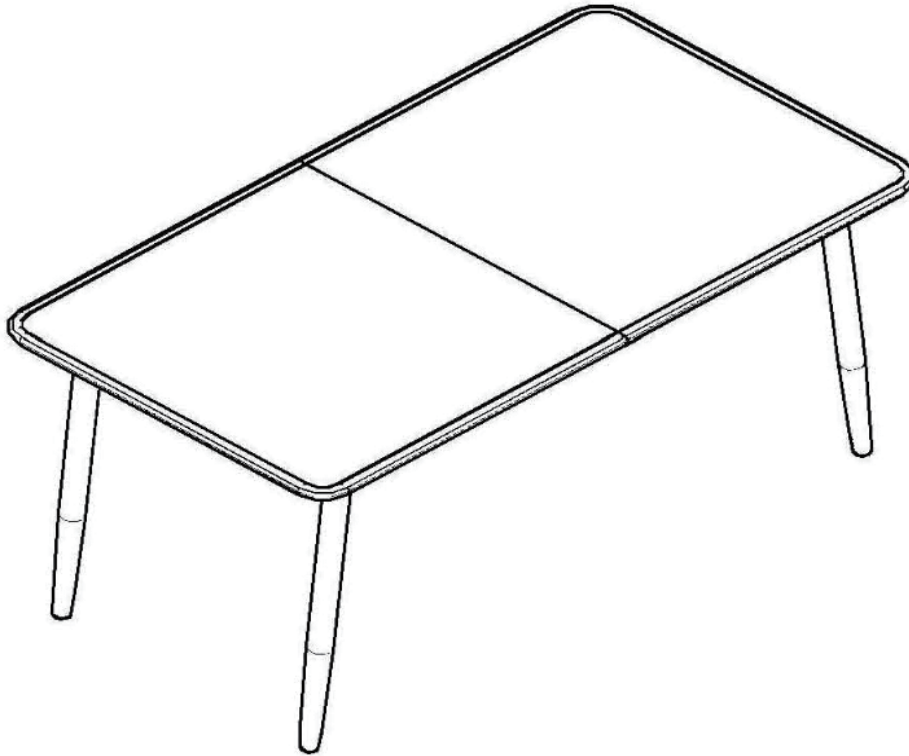


Teramo 3661 medium extending dining table

Thank you for purchasing this Teramo Dining table. Please read the instructions carefully before use to ensure safe and satisfactory operation of this product.



This item is **HEAVY**



Pre-assembly preparation

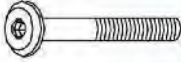



Please ensure instructions are read in full before attempting to assemble this product

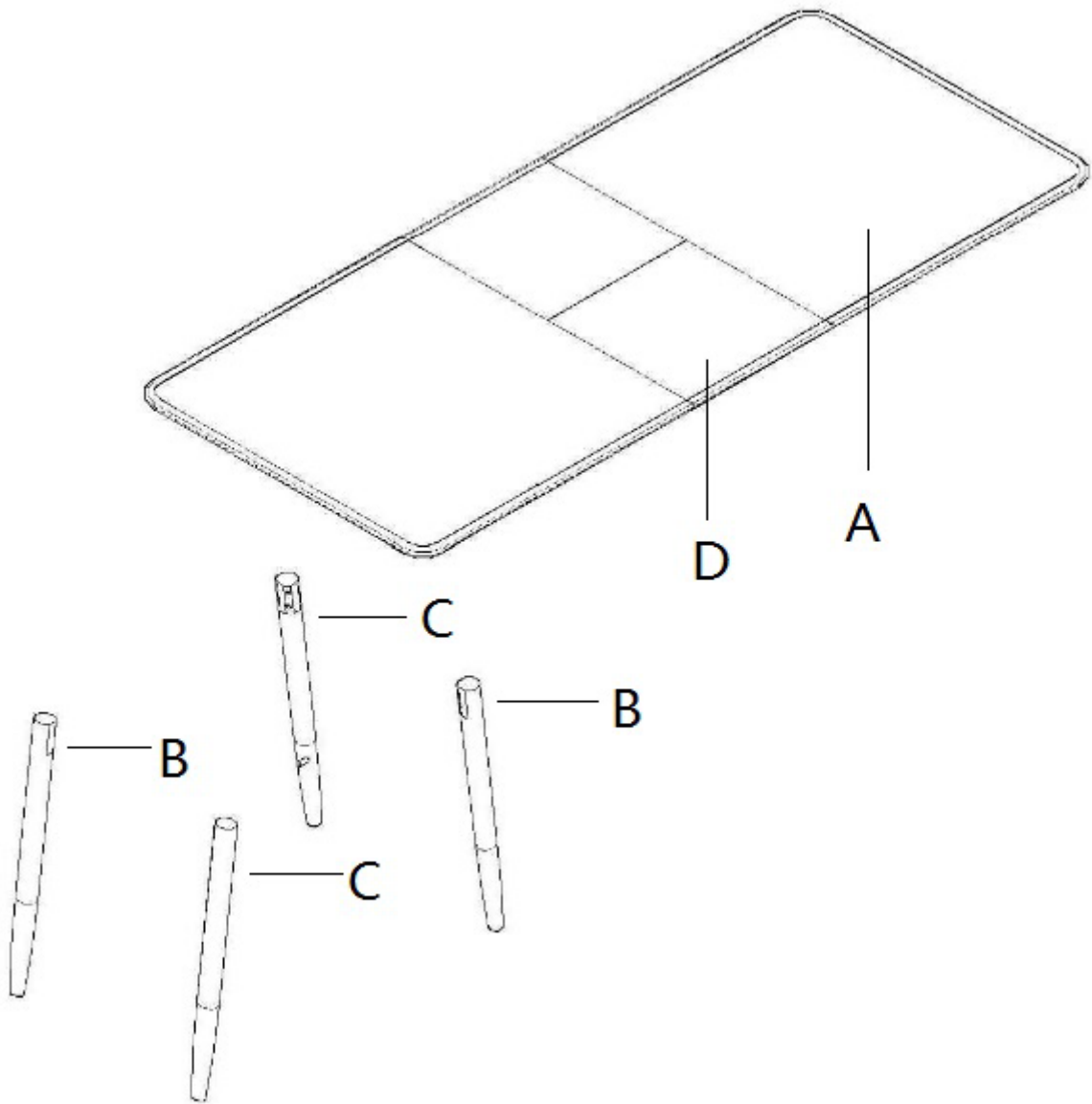
Please check the pack contents before attempting to assemble this product. A full checklist of components is given in this leaflet. If any components are missing, please contact the retailer from whom you bought this product.

This product is **HEAVY**, it should be assembled as near as possible to the point of use. **TAKE CARE WHEN LIFTING** to avoid personal injury and (or) damage to the product.

This product takes approximately **30 MINUTES** to assemble with **2 PEOPLE**.

The fittings pack contains **SMALL ITEMS** which should be **KEPT AWAY FROM YOUNG CHILDREN**.

A	Table top x 1	E	Bolt x 8	
B	Left legs x 2	F	Locking washer x 8	
C	Right legs x 2	G	Washers x 8	
D	Extension leaf x 1	H	Allen key x 1	



Step by step assembly instructions

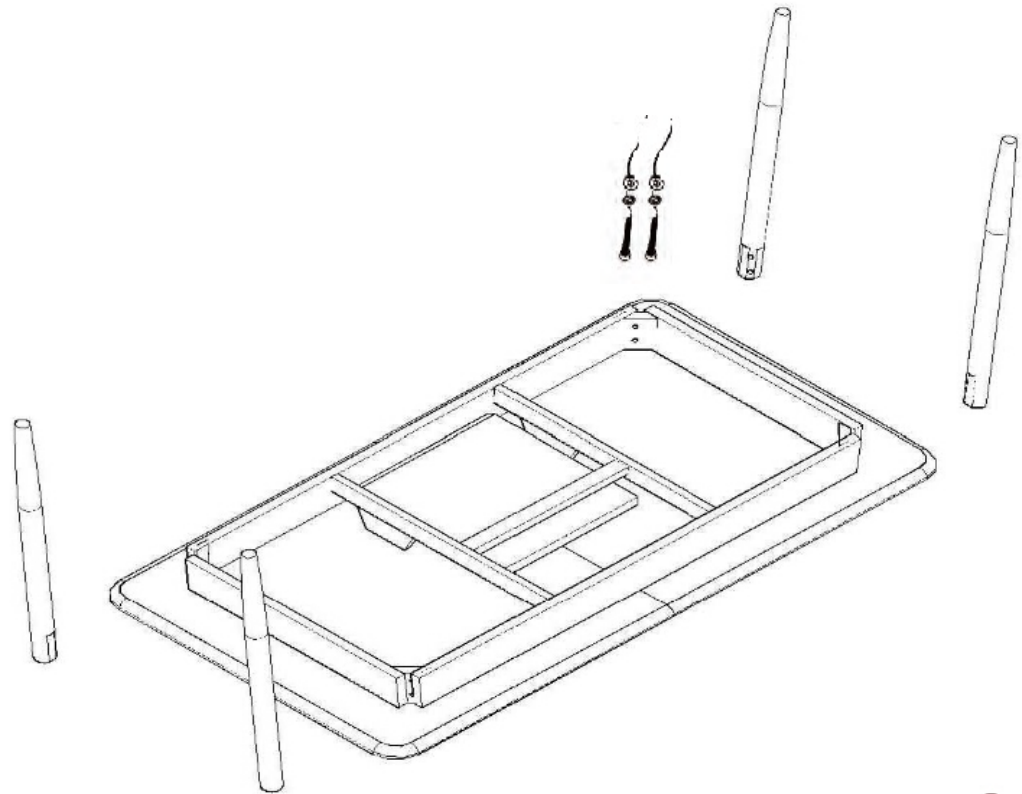
1. Two people maybe necessary to carefully turn the table top face down onto a smooth soft surface such as carpet. Put one leg to the table top and matching the holes, secure the bolts and washers (locking washer first) into the legs through the holes on the end rail of the table top. When ALL bolts and washers are in place, finger tight. Repeat with the three other legs.

 E x 8

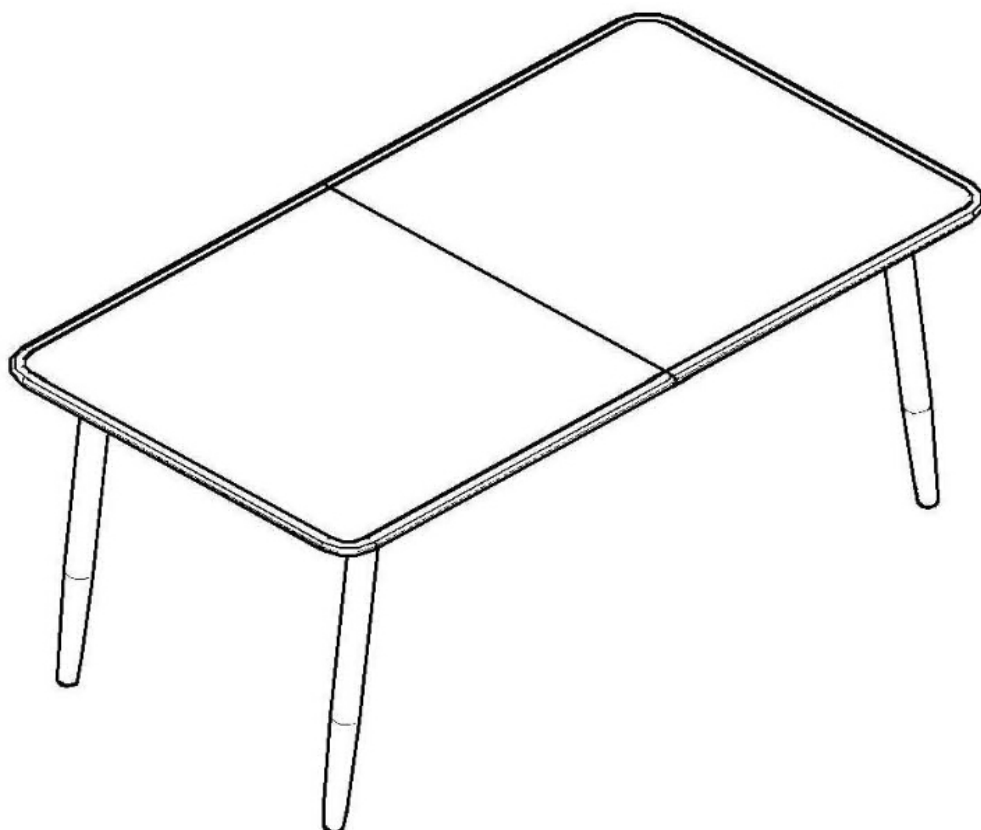
 F x 8

 G x 8

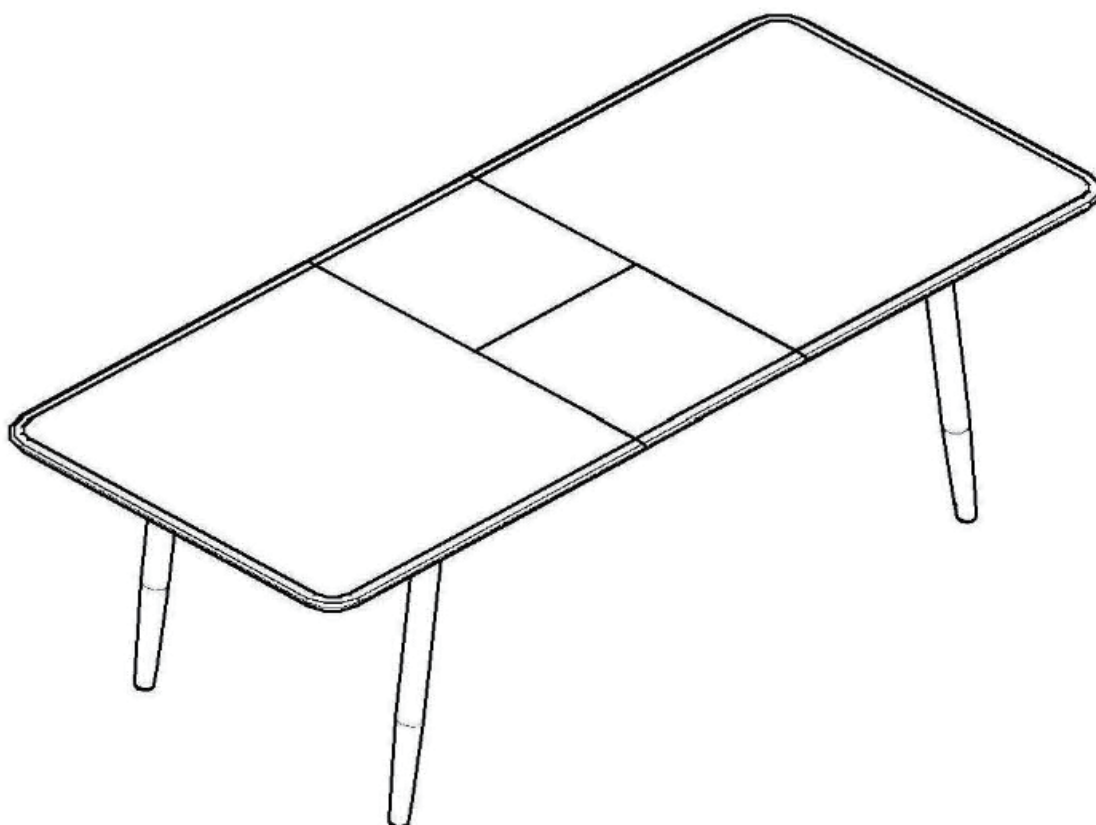
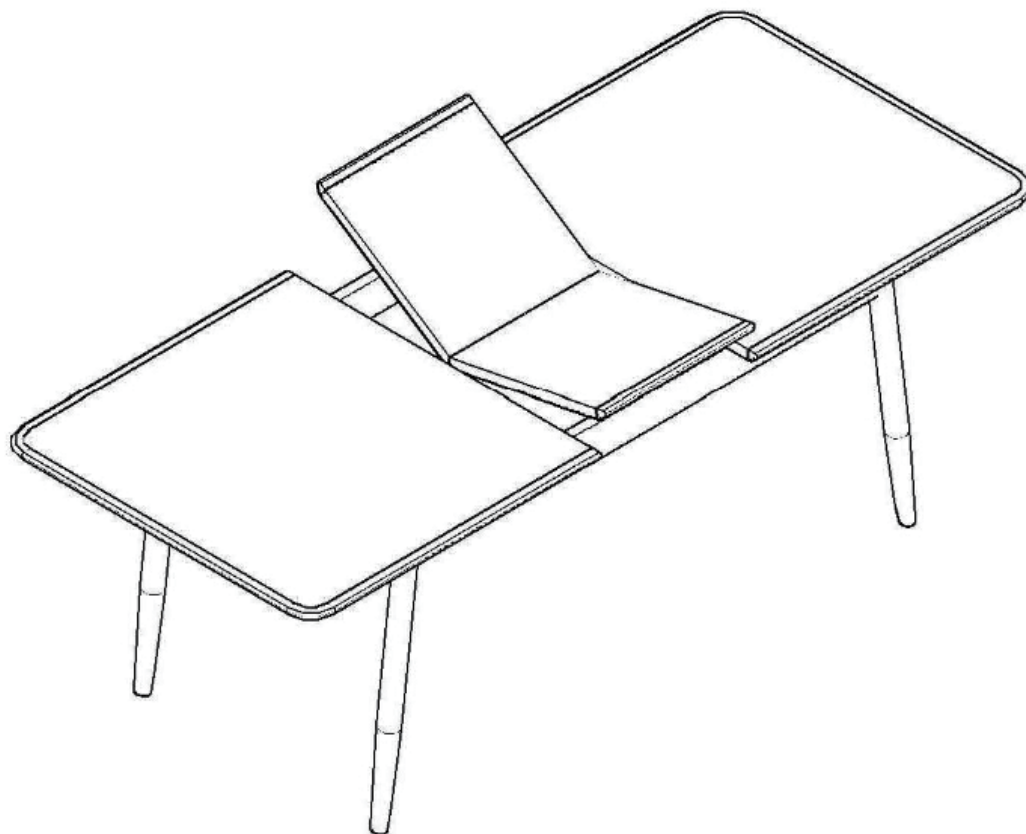
 H x 1



2. After assembling the legs, Please take care this table is very heavy, With the aid of another person carefully lift the table and turn it over. taking care not to turn the table over on two legs as this may cause damage.



3. Grasp the corners of one side of the table top and pull out. Then take out the extension leaf on the table frame making sure the holes on the leaf align with the pins on the table top. then push it back together and secure using the two metal clips underneath the table top. Do the reverse to close the table.



PLEASE KEEP THESE INSTRUCTIONS FOR FUTURE REFERENCE