

ercol

4060 Monza Small Extending Dining Table

Thank you for purchasing this Monza Dining Table. Please read the instructions carefully before use to ensure safe and satisfactory operation of this product.



This item is **HEAVY**



Pre-assembly preparation

Please ensure instructions are read in full before attempting to assemble this product

Please check the pack contents before attempting to assemble this product. A full checklist of components is given in this leaflet. If any components are missing, please contact the retailer from whom you bought this product.




This product is **HEAVY**, it should be assembled as near as possible to the point of use. **TAKE CARE WHEN LIFTING** to avoid personal injury and (or) damage to the product.

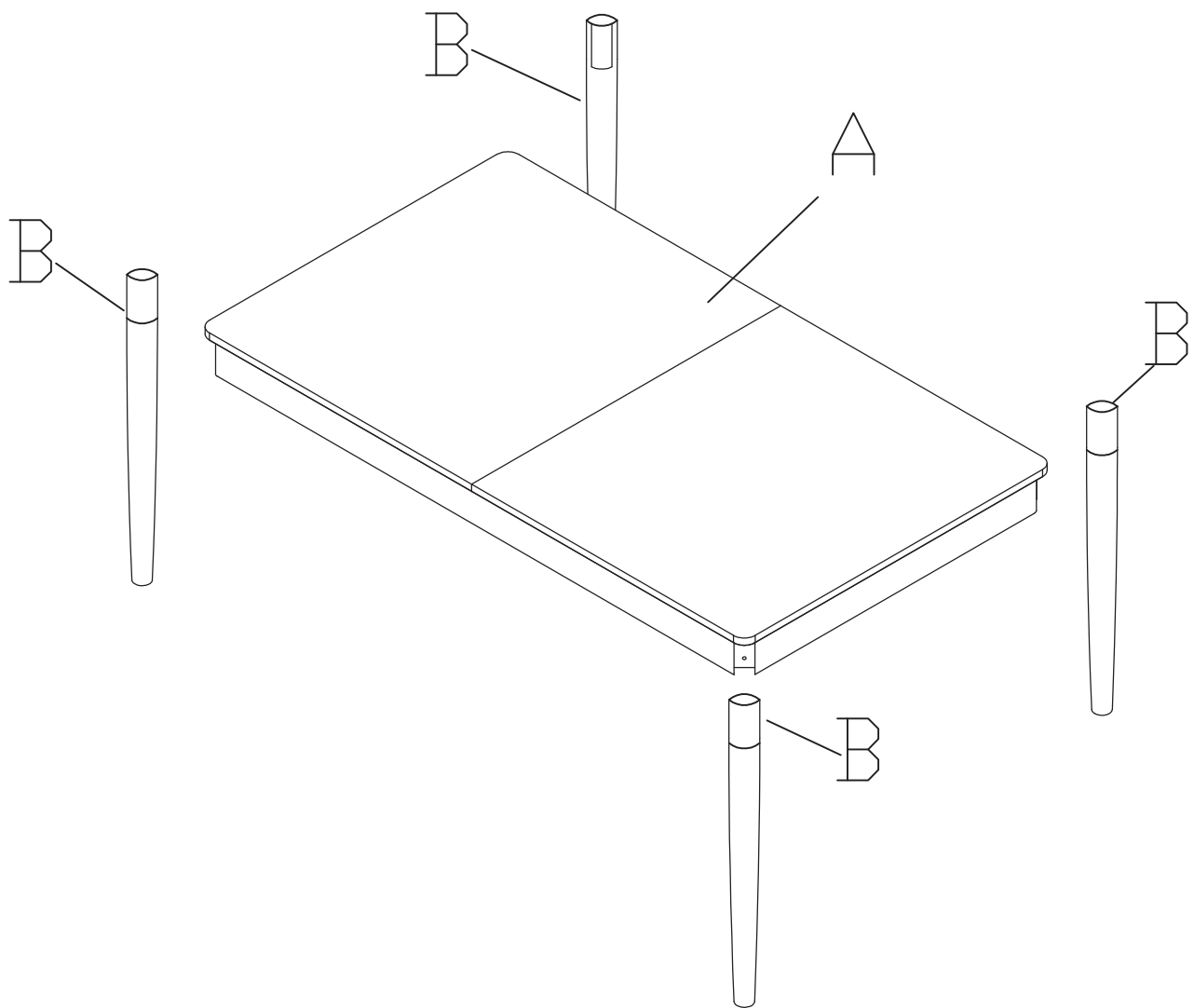
This product takes approximately **30 MINUTES** to assemble with **2 PEOPLE**.

The fittings pack contains **SMALL ITEMS** which should be **KEPT AWAY FROM YOUNG CHILDREN**.

Ref: 00329/4060

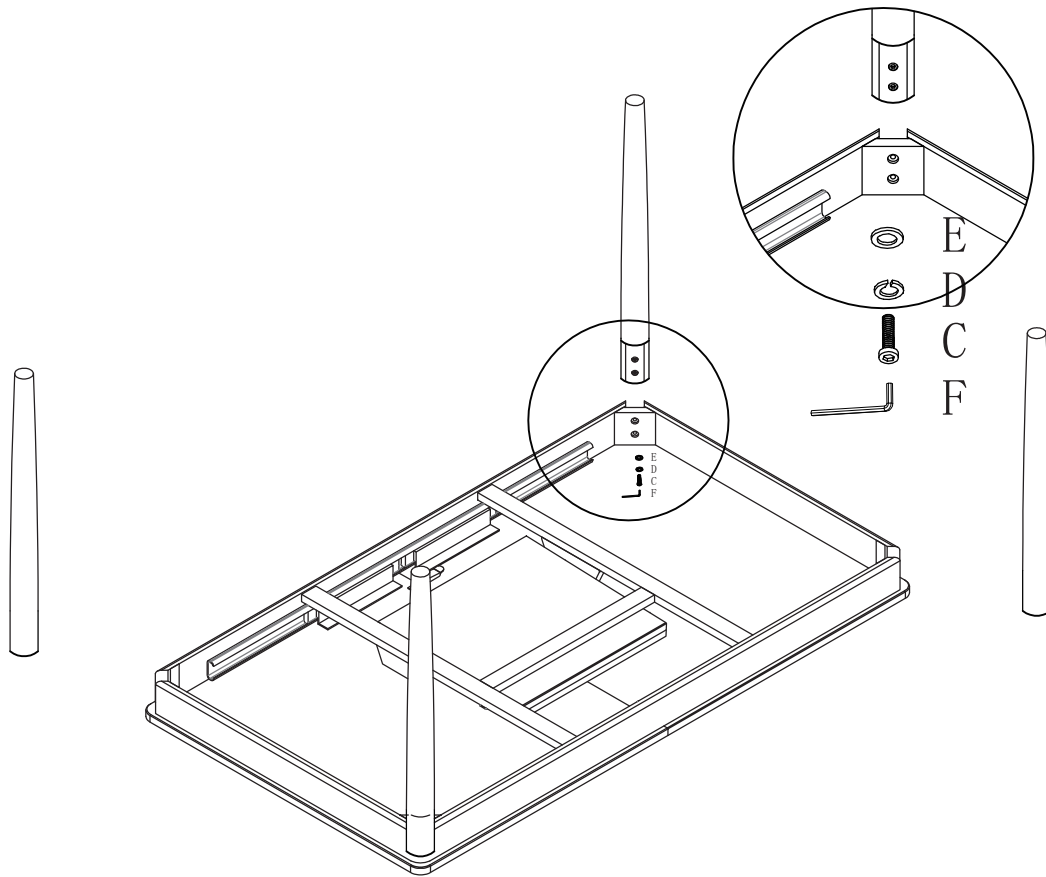
Fittings and parts checklist

A	Table top x 1	D	Locking washer x 8	
B	Table legs x 4	E	Flat washer x 8	
C	Bolt x 8	F	Allen Key x 1	

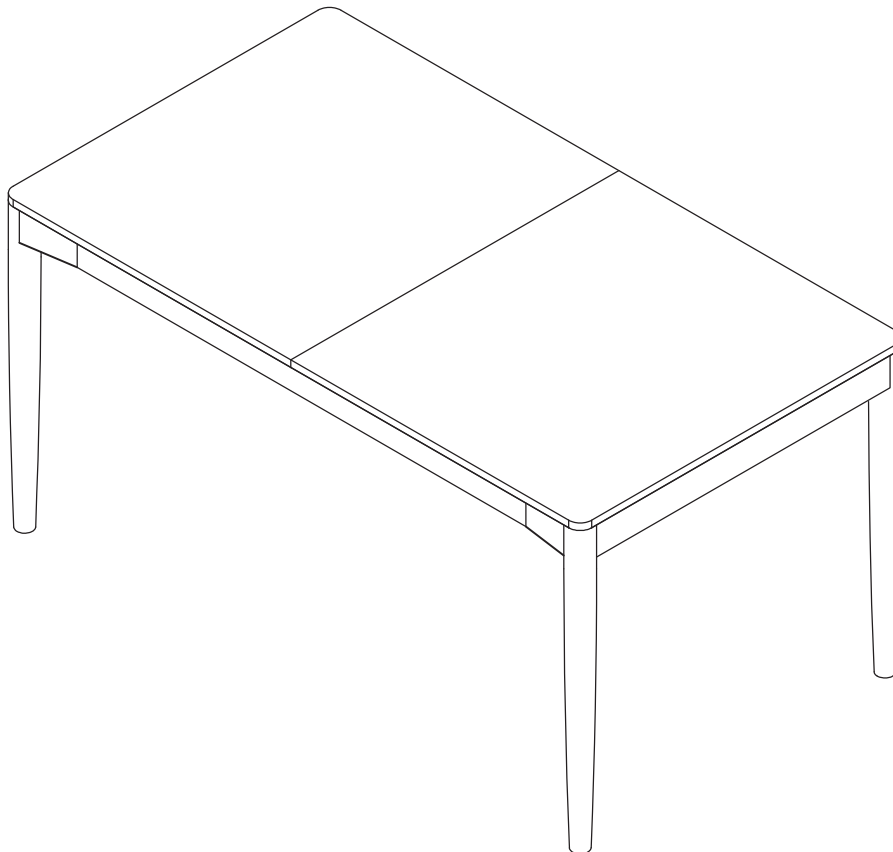


Step by step assembly instructions

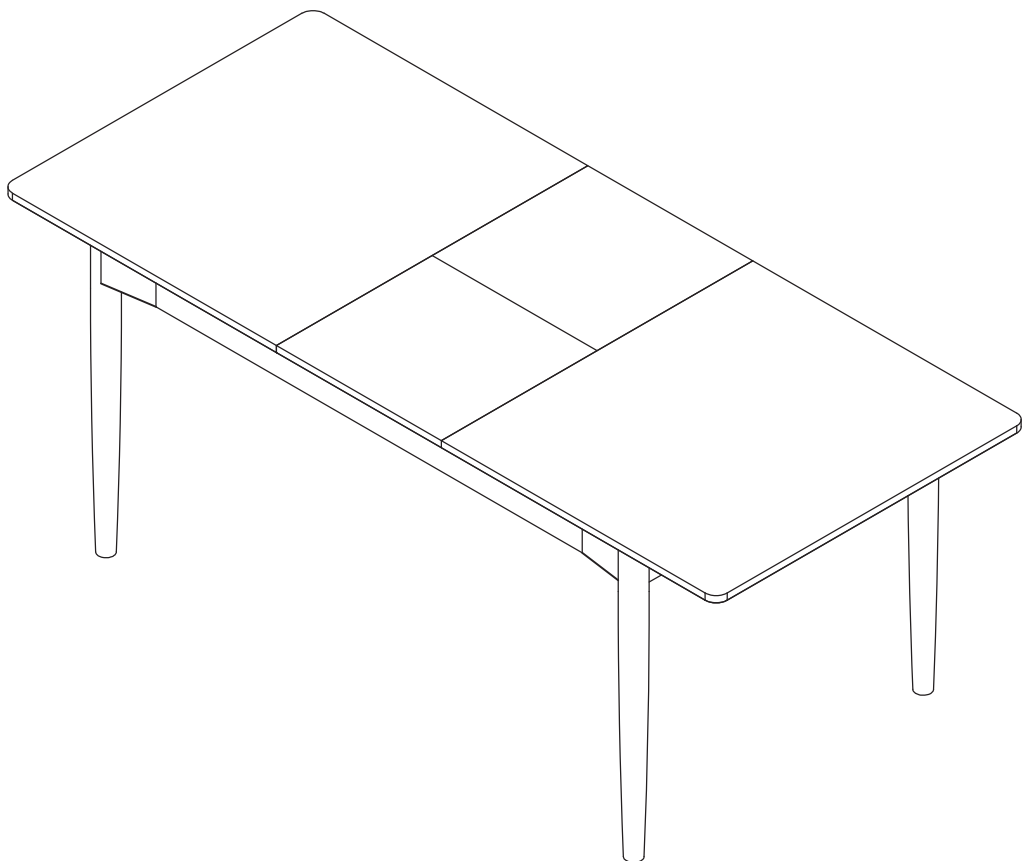
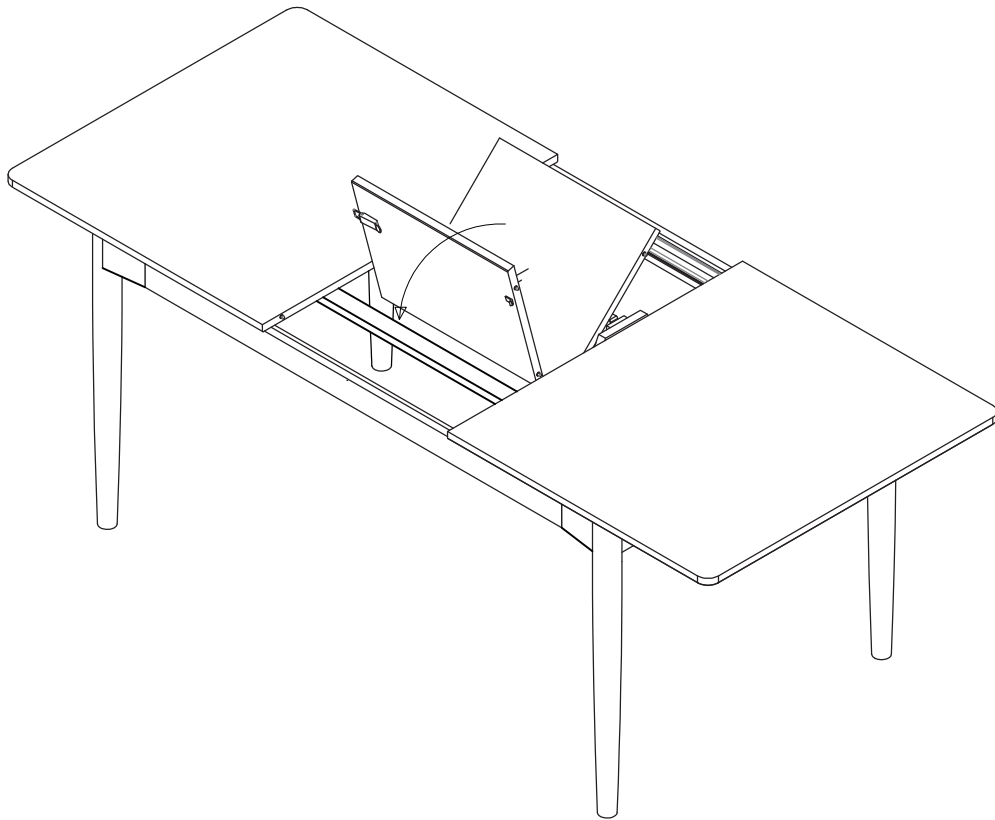
1. Two people are needed to carefully turn the table top over and to place it face down onto a smooth soft surface such as carpet. Place a leg in a corner of the table top and matching the holes, secure the bolts and washers (locking washer first) into the legs through the holes into the rail of the table top. When ALL bolts and washers are in place, finger tighten. Repeat with the three other legs and fully tighten.



2. After assembling the legs, please take care (this table is very heavy) with the aid of another person carefully lift the table and turn it over. Taking care not to turn the table over on two legs as this may cause damage.



3. Grasp the corners of one side of the table top and pull outwards. Then lift and fold out the extension leaf from the table, making sure the holes of the leaf align with the pins of the table top. Then push it back together and secure using the two metal clips underneath the table. Do the reverse to store the leaf. Note the extension leaf should be stored FACE UPWARDS on the frame underneath the table.



PLEASE KEEP THESE INSTRUCTIONS FOR FUTURE REFERENCE

Ercol Furniture Ltd, Summerleys Road, Princes Risborough, Buckinghamshire. HP27 9PX www.ercol.com