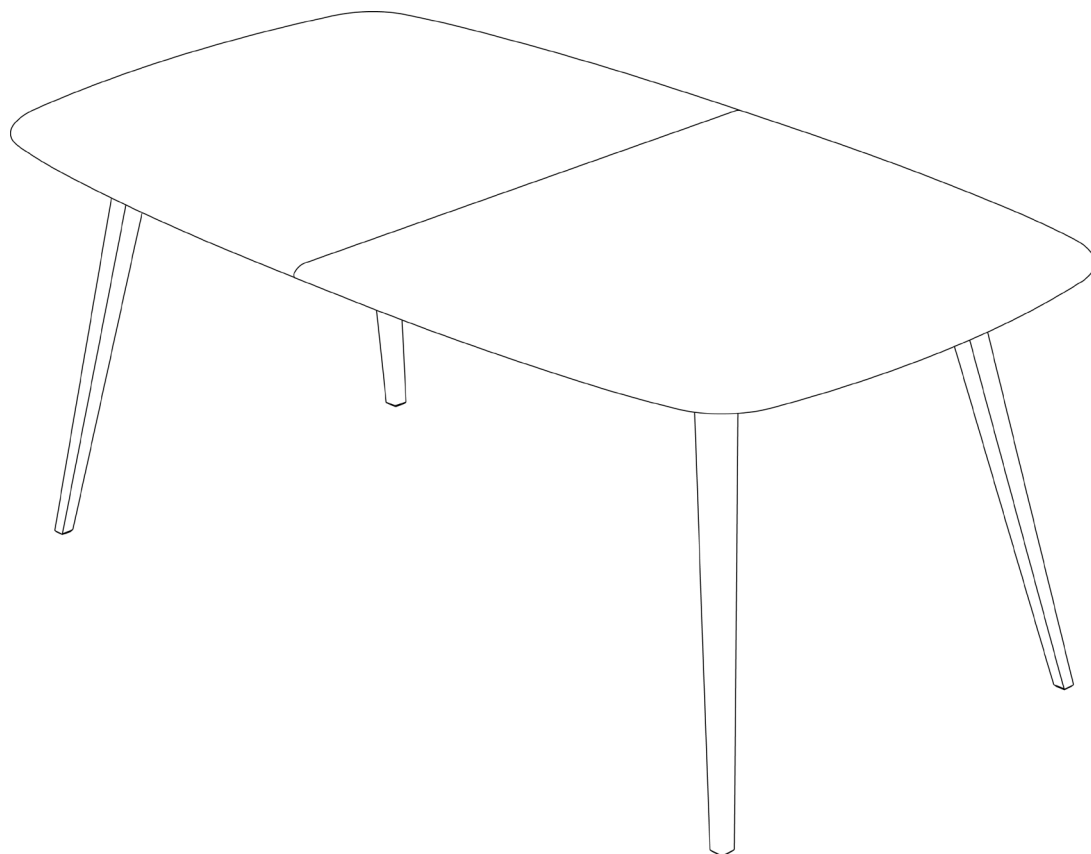


ercol

3062 BELLINGDON EXTENDING DINING TABLE



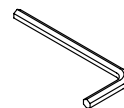
Thank you for purchasing this Bellingdon Extending Dining Table. Please ensure instructions are read in full before attempting to assemble this product.

PREPARATION

This is a two person operation



Tools you will need



Included

Please check the pack contents before attempting to assemble this product. A full checklist of components is given in this leaflet. If any components are missing, please contact the retailer from whom you bought this product.

This product is **HEAVY**, it should be assembled as near as possible to the point of use.

TAKE CARE WHEN LIFTING to avoid personal injury and (or) damage to the product.

The fittings pack contains **SMALL ITEMS** which should be **KEPT AWAY FROM YOUNG CHILDREN**.

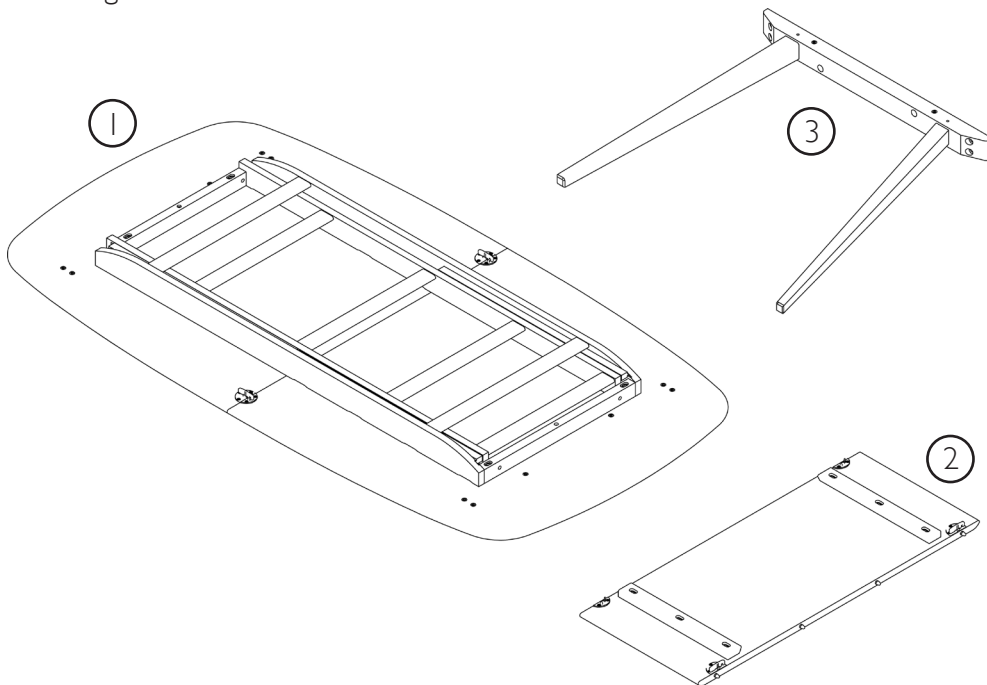
Read this leaflet in full before commencing assembly.

Fittings and parts checklist

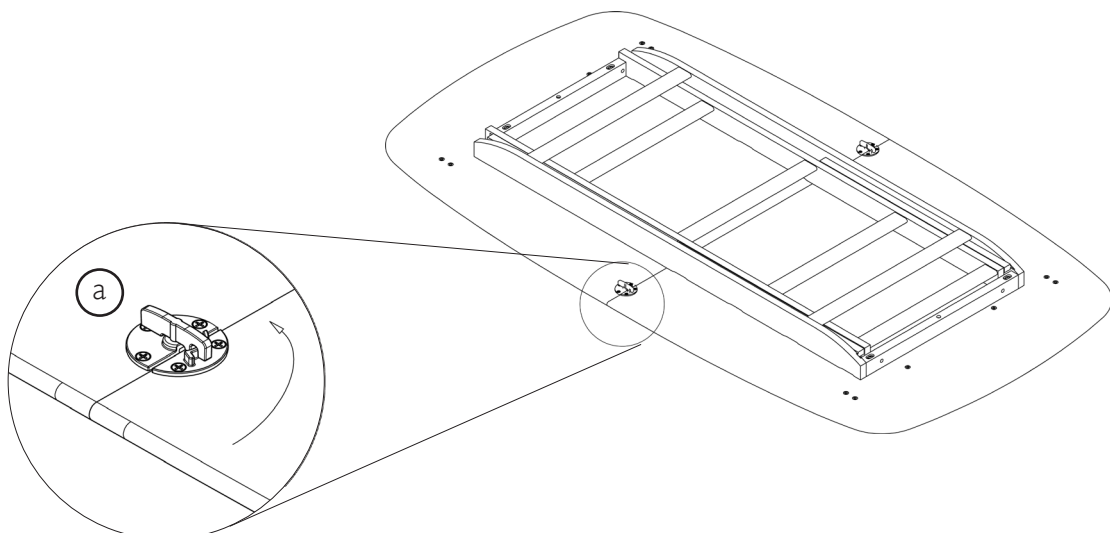
A	M6 x 40mm Bolt x 16	
B	Allen Key x 1	

Bellingdon extending dining table assembly instructions

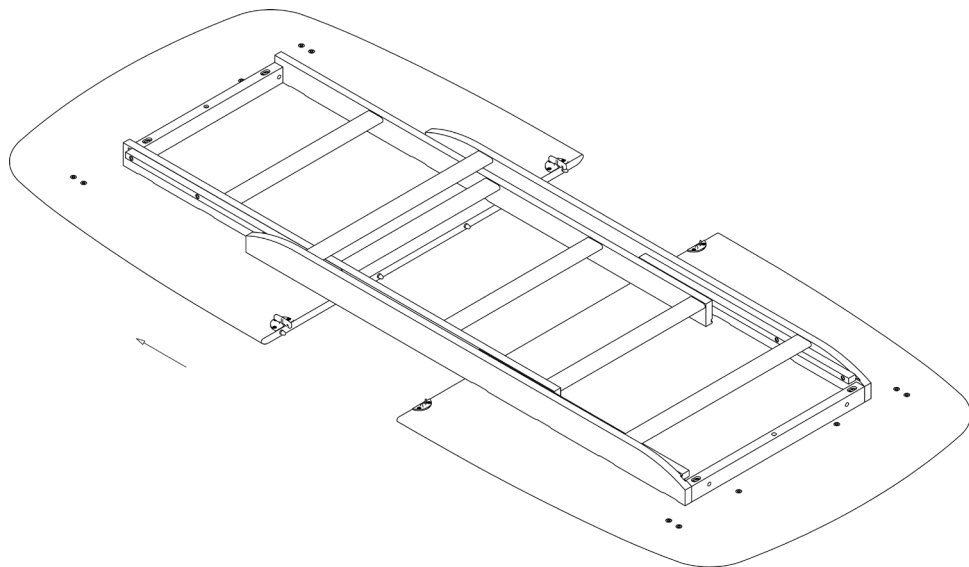
1. Carefully unpack the table top (1), centre leaf (2) and legs (3) and lay on a carpeted floor or blanket to protect from scratching.



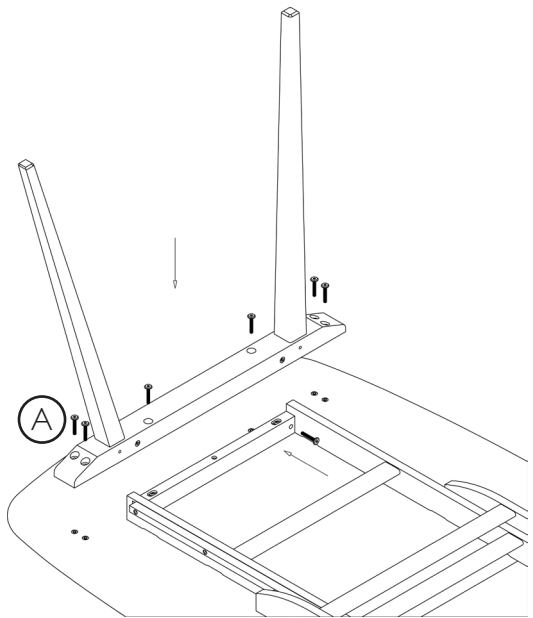
2. Undo the catches on the underside of the table top by turning anticlockwise (a).



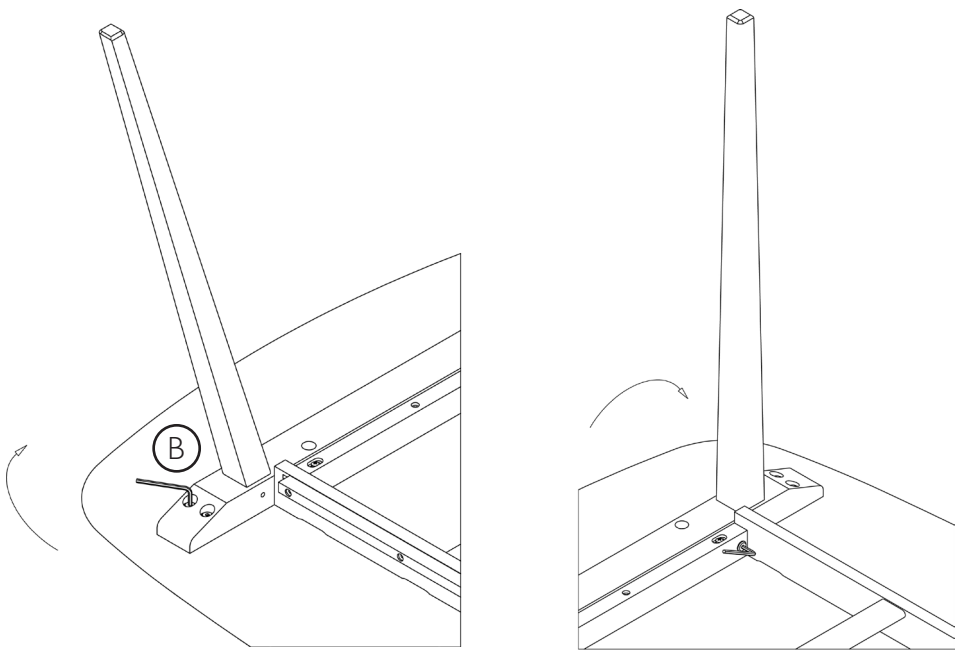
3. Pull the table top apart.



4. Take one leg assembly and align 8 bolts (A) with the holes as shown below.



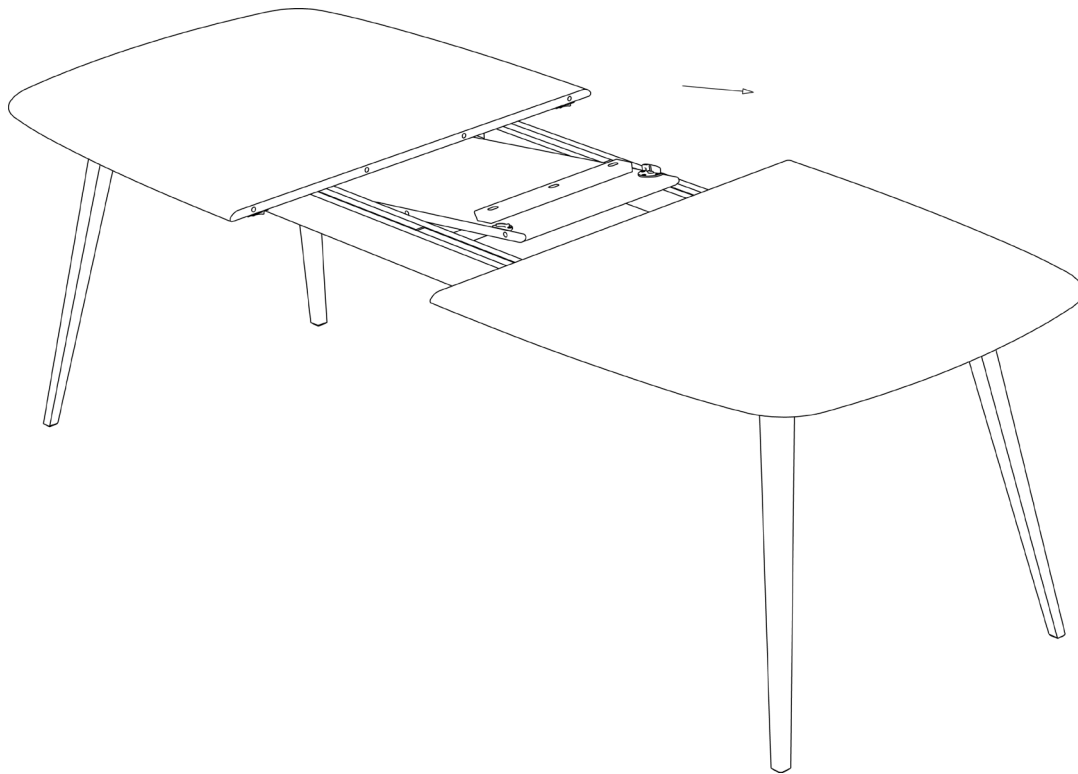
5. Using the allen key (B) fix 8 bolts by turning clockwise. Repeat with the other set of legs.



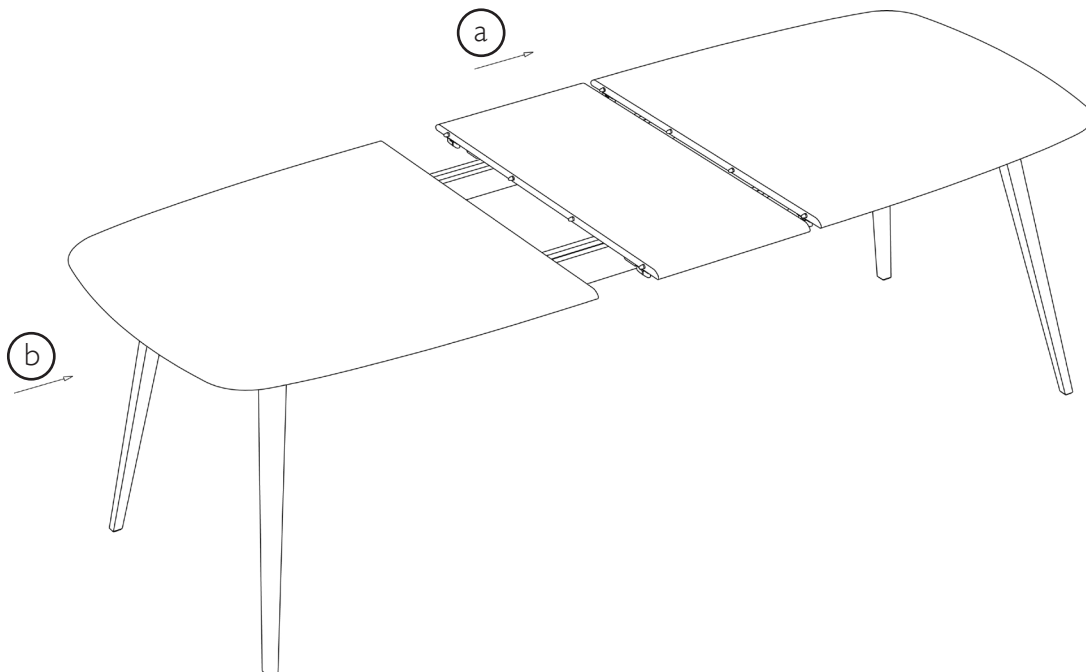
6. Carefully turn table the right way over.

Adding the centre leaf

1. Undo the table catches and pull table top apart. Slide the centre leaf to the end of the table. Lift the centre leaf and remove from the table.



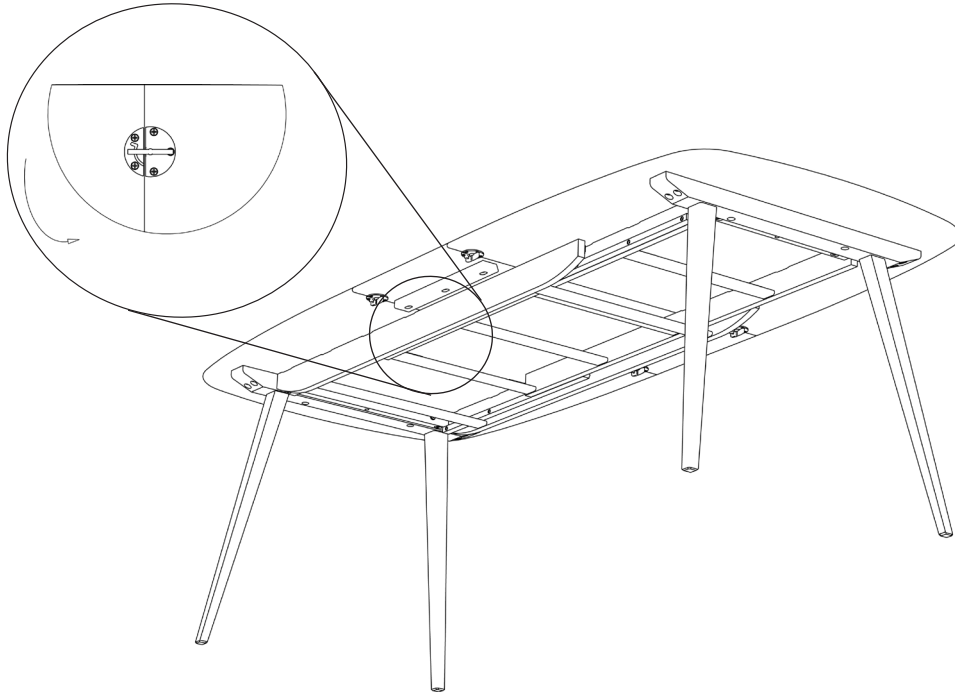
2. Place the centre leaf in position ensuring it lines up with the protruding pegs (a). Lift the table off the floor at the opposite end and slide the tops together (b).



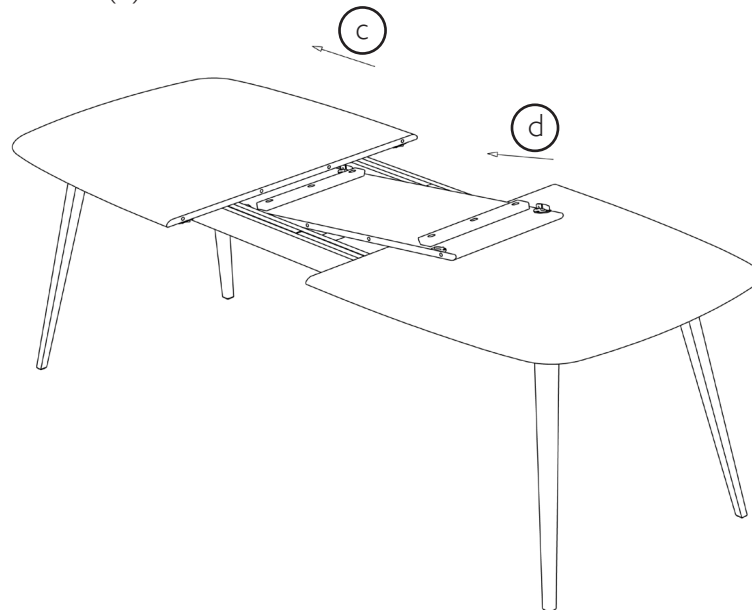
3. Once closed lock catches by turning clockwise.

Storing the centre leaf

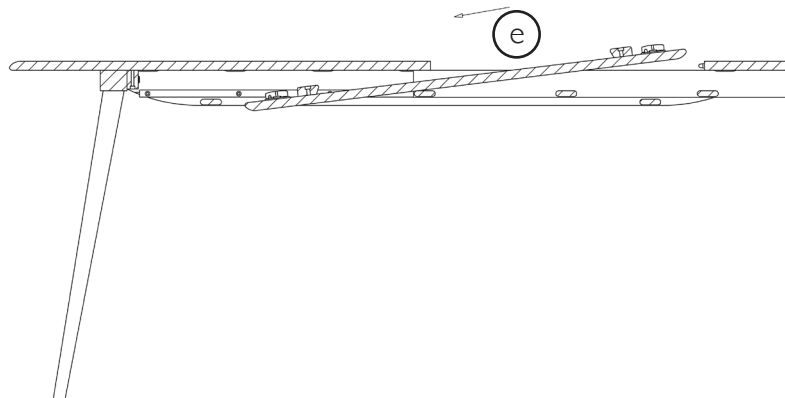
1. Locate the table catches on each side of the table and turn anti-clockwise to unlock.



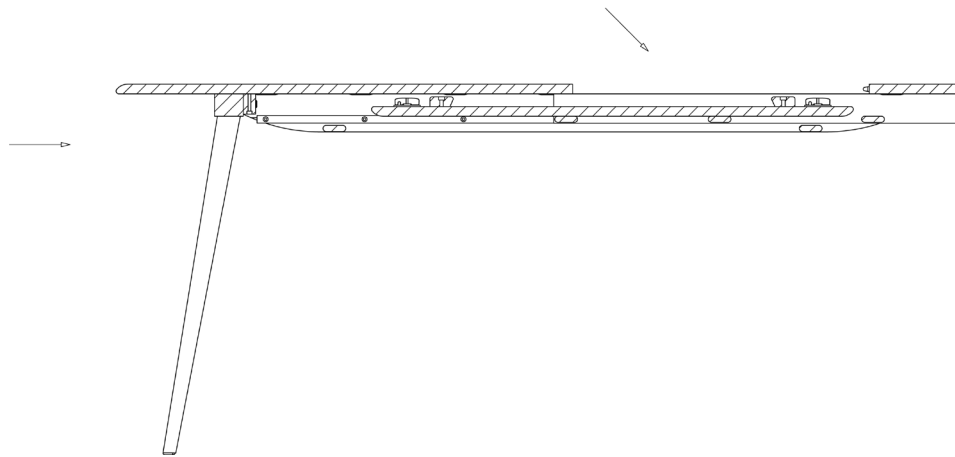
2. Lift one set of the legs off the ground and pull the table top apart (c). Lift out the centre leaf and slide on the interior support rail as shown (d).



3. Slide the centre leaf so that the outer edge is within the table opening (e).



4. Rest the centre leaf on the support rails. Lift one set of legs off the ground and push the table together to close gap. Secure the table top in place by turning the catches clockwise.



Customer Care

For all customer care queries please contact John Lewis Partnership on 03456 049 049.

Wood Furniture

Wood displays different grain patterns depending on which way it is cut. These are characteristics of the natural beauty of the wood. All timber surfaces will change colour and mellow over time.

Safety Instructions

Never drag furniture when moving it, always lift it. Take care when handling or moving the furniture as careless handling may cause damage or injury. No liability will be accepted for damage or injury caused by incorrectly installed furniture.

Fabric Care

Every effort is made to keep colours consistent between batches, but fabric manufacturers cannot guarantee exact matching. All fabrics will fade in sunlight, to prolong the life of the fabric do not place it close to a heat source or in direct sunlight. Plump up cushions after use, especially fibre or feather cushions. If the cushions are reversible turn them at least once a week to minimise wear and maintain their appearance. To prevent dust and dirt accelerating wear, gently vacuum upholstery once a week or use a soft brush. For complete cleaning we recommend a specialist cleaning in situ. Accidental spills and stains should be treated as soon as possible, except mud which should be left to dry and then brushed off. Remove any solids, then blot up as much liquid as possible with white paper towel or a clean cloth. We recommend professional dry cleaning but some action can limit damage.

PLEASE KEEP THESE INSTRUCTIONS FOR FUTURE REFERENCE

Ercol Furniture Ltd, Summerleys Road, Princes Risborough, Buckinghamshire. HP27 9PX ercol.com

3062 Bellingdon Extending Dining Table