

# ercol

4374/4375 ELISA BENCH



---

Thank you for purchasing this Elisa Bench. Please ensure instructions are read in full before attempting to assemble this product.

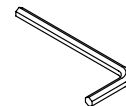
---

## PREPARATION

**This is a two person operation**



**Tools you will need**



---

Please check the pack contents before attempting to assemble this product. A full checklist of components is given in this leaflet. If any components are missing, please contact the retailer from whom you bought this product.

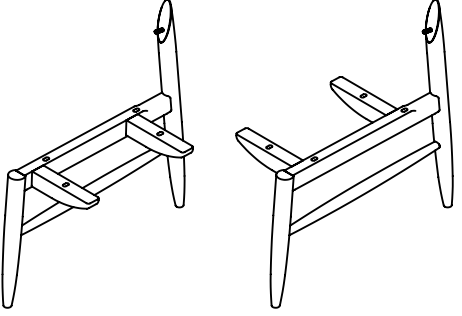
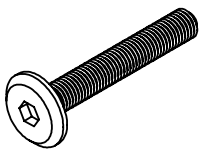
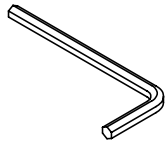
This product is **HEAVY**, it should be assembled as near as possible to the point of use.

**TAKE CARE WHEN LIFTING** to avoid personal injury and (or) damage to the product.

The fittings pack contains **SMALL ITEMS** which should be **KEPT AWAY FROM YOUNG CHILDREN**.

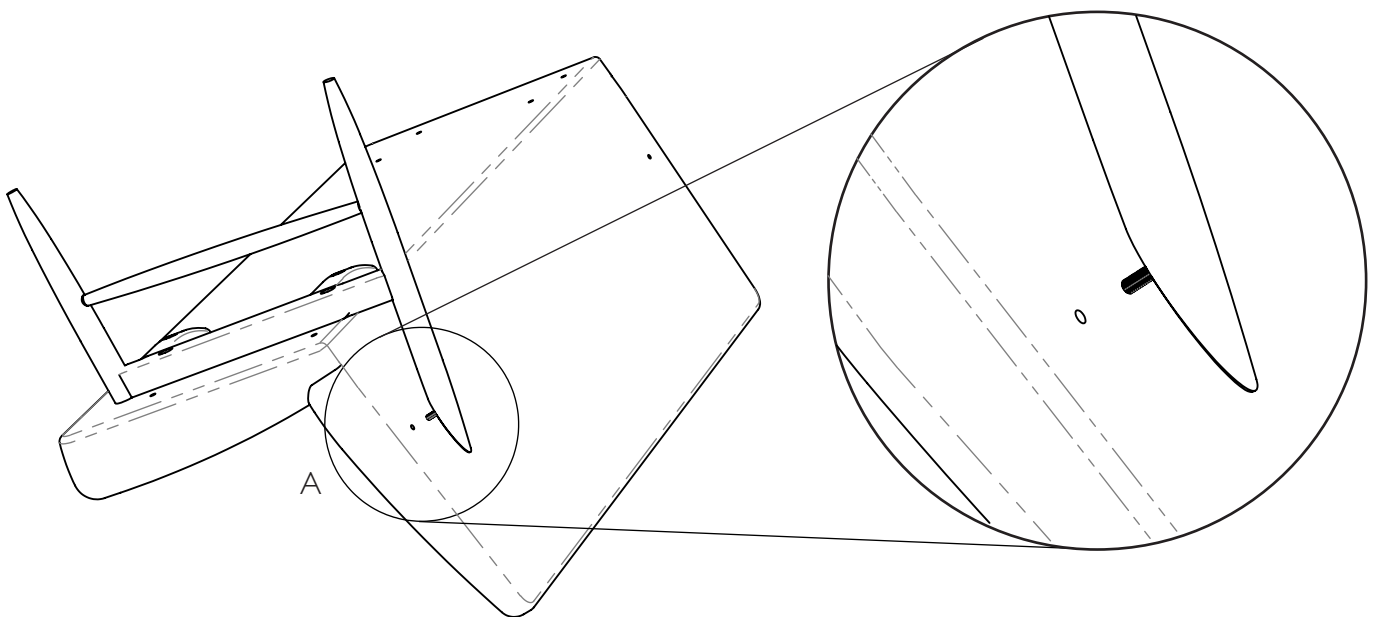
Read this leaflet in full before commencing assembly.

## Fittings and parts checklist

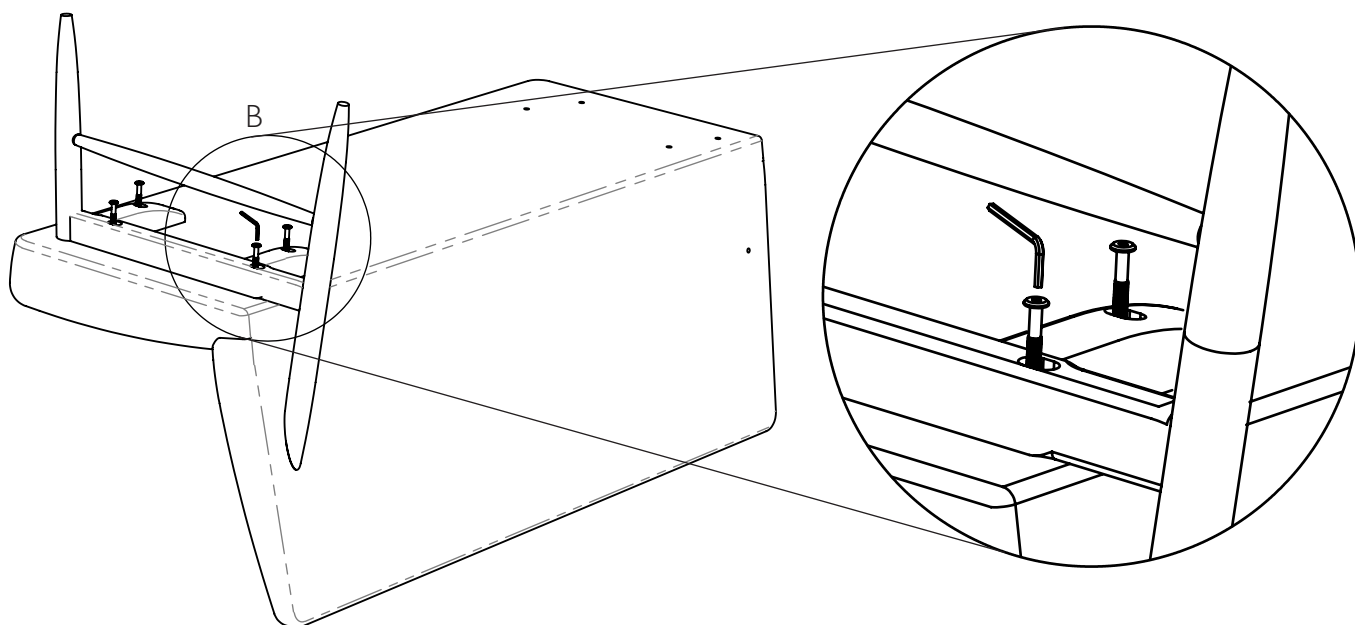
A	Elisa Legs x 1 pair	
B	M6 x 60mm Bolt x 8	
C	Allen Key x 1	

## Bench assembly instructions

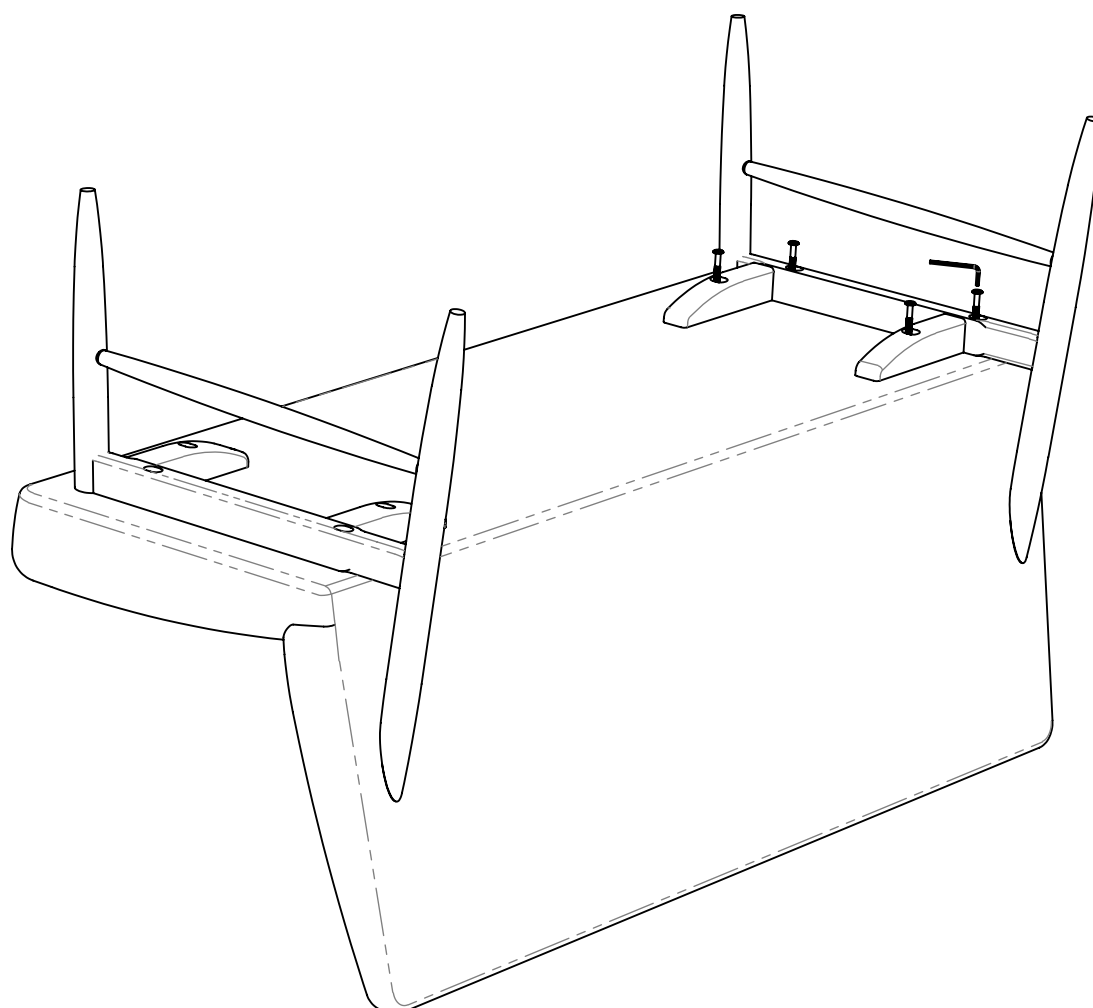
1. Carefully turn the bench on to its front. Insert the threaded inset on the leg assembly into the location hole on the back of the bench (A). Ensure that the bolt holes on the underside of the bench line with with the leg assembly.



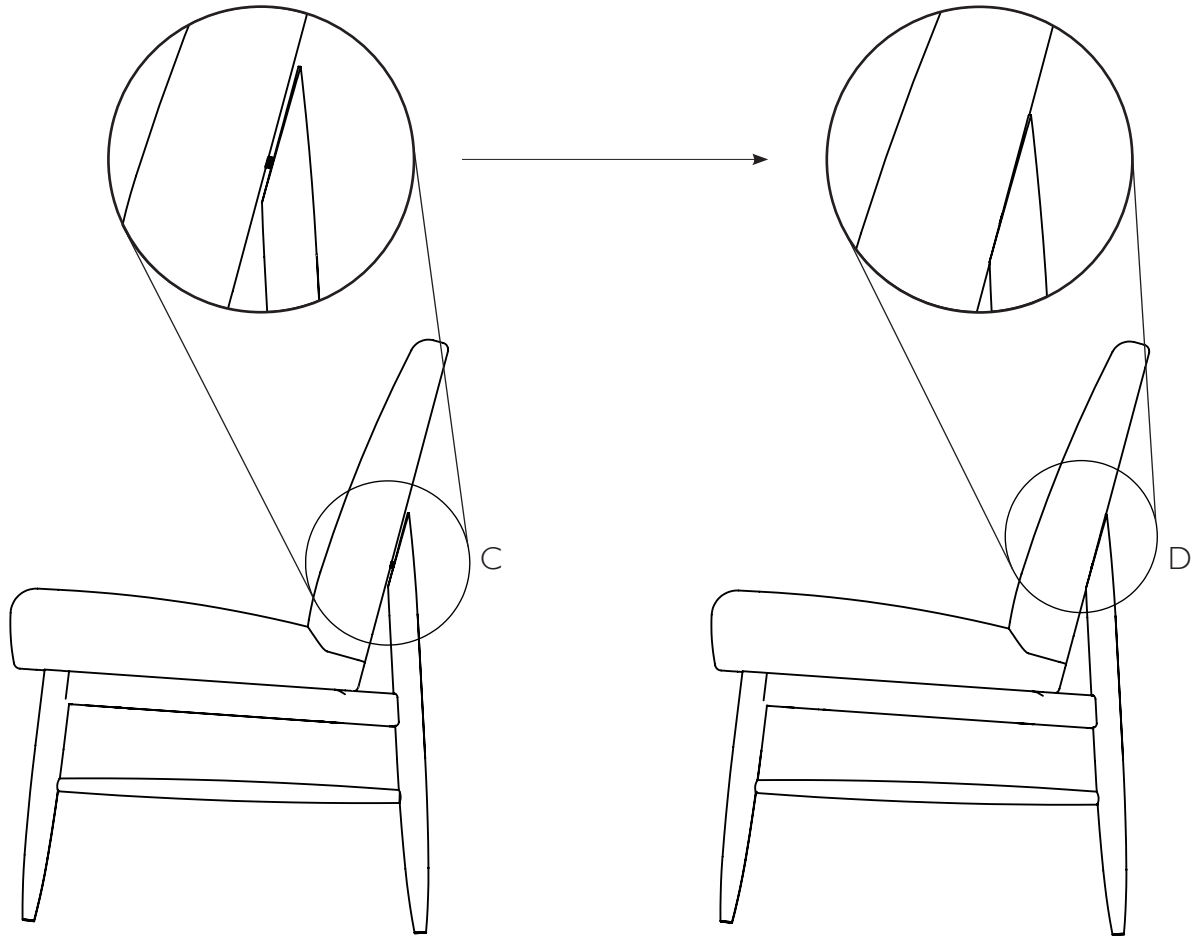
2. Ensuring that the bolt holes are aligned in both the bench and the leg assembly, insert bolts and tighten using the allen key provided (B).



3. Repeat for the right hand leg.



4. Carefully turn the bench back onto its legs. Push the top of the leg into the back of the bench (C) to close any remaining gap (D).



## Customer Care

### Wood Furniture

Wood displays different grain patterns depending on which way it is cut. These are characteristics of the natural beauty of the wood. All timber surfaces will change colour and mellow over time.

### Safety Instructions

Never drag furniture when moving it, always lift it. Take care when handling or moving the furniture as careless handling may cause damage or injury. No liability will be accepted for damage or injury caused by incorrectly installed furniture.

### Fabric Care

Every effort is made to keep colours consistent between batches, but fabric manufacturers cannot guarantee exact matching. All fabrics will fade in sunlight, to prolong the life of the fabric do not place it close to a heat source or in direct sunlight. Plump up cushions after use, especially fibre or feather cushions. If the cushions are reversible turn them at least once a week to minimise wear and maintain their appearance. To prevent dust and dirt accelerating wear, gently vacuum upholstery once a week or use a soft brush. For complete cleaning we recommend a specialist cleaning in situ. Accidental spills and stains should be treated as soon as possible, except mud which should be left to dry and then brushed off. Remove any solids, then blot up as much liquid as possible with white paper towel or a clean cloth. We recommend professional dry cleaning but some action can limit damage.

### PLEASE KEEP THESE INSTRUCTIONS FOR FUTURE REFERENCE

Ercol Furniture Ltd, Summerleys Road, Princes Risborough, Buckinghamshire. HP27 9PX [ercol.com](http://ercol.com)