

# ercol

ercol Winslow Dressing Table  
Stock Number: 4176/455



H186 W94 D38cm

Ref: 00455 / 4176

Thank you for purchasing the ercol Winslow Dressing Table. Please read the instructions and warnings carefully before use, to ensure safe and satisfactory operation of this product.

We are committed to making great products possible.

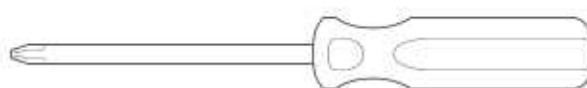
From our in-house Design Team, to our Buyers, we work together to bring great design to life.

Our expert Product Technologists work collaboratively with our buyers and suppliers to assure the legality, safety and quality of the product we sell.

We are all committed to designing and developing products to the highest industry standards.

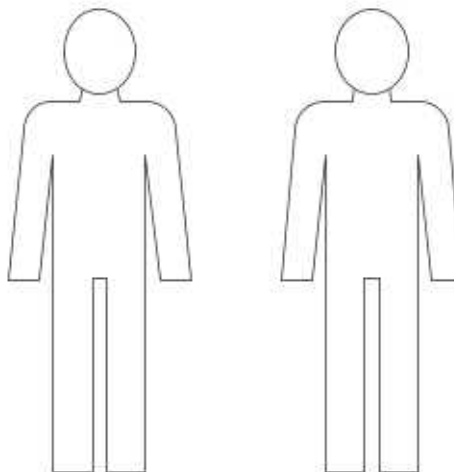
We hope you are happy with your ercol product and welcome any feedback or comments you may have.

## Tools required



**Time to assemble**  
1 Hours

**People to assemble**



# Important safety information

## Warnings

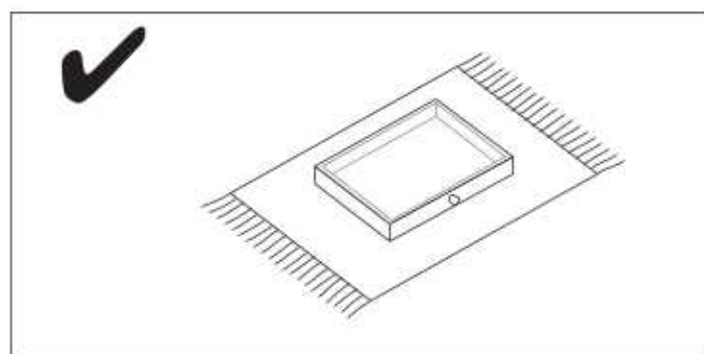
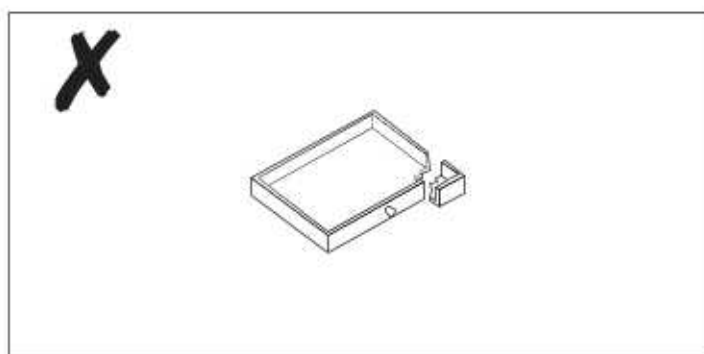
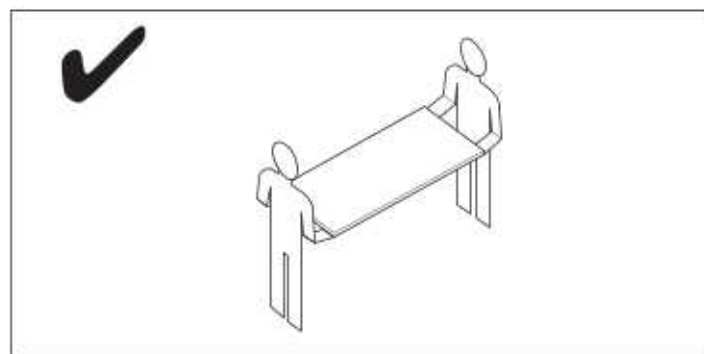
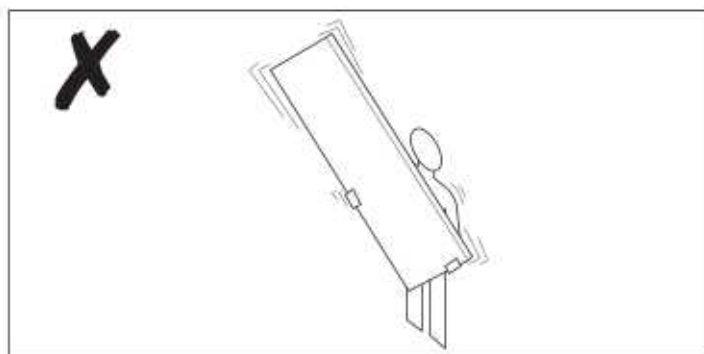
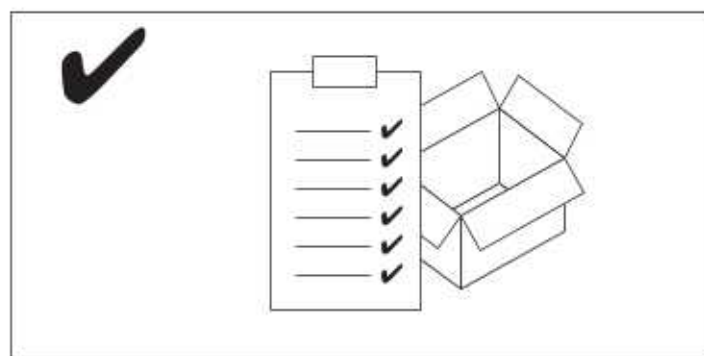
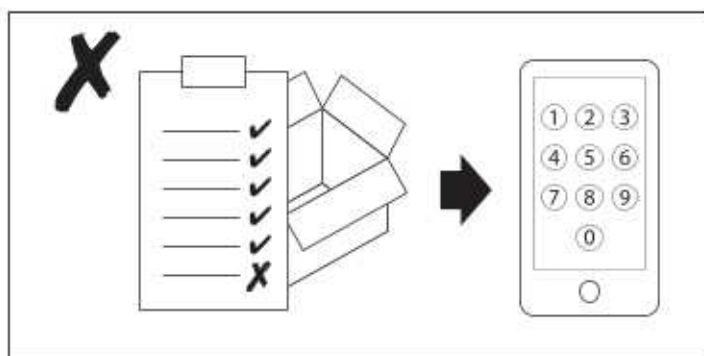
- ⚠ The product should only be used on firm, level ground.
- ⚠ Keep small parts out of reach of children.
- ⚠ Ensure the product is fully assembled as illustrated before use.

## Do's

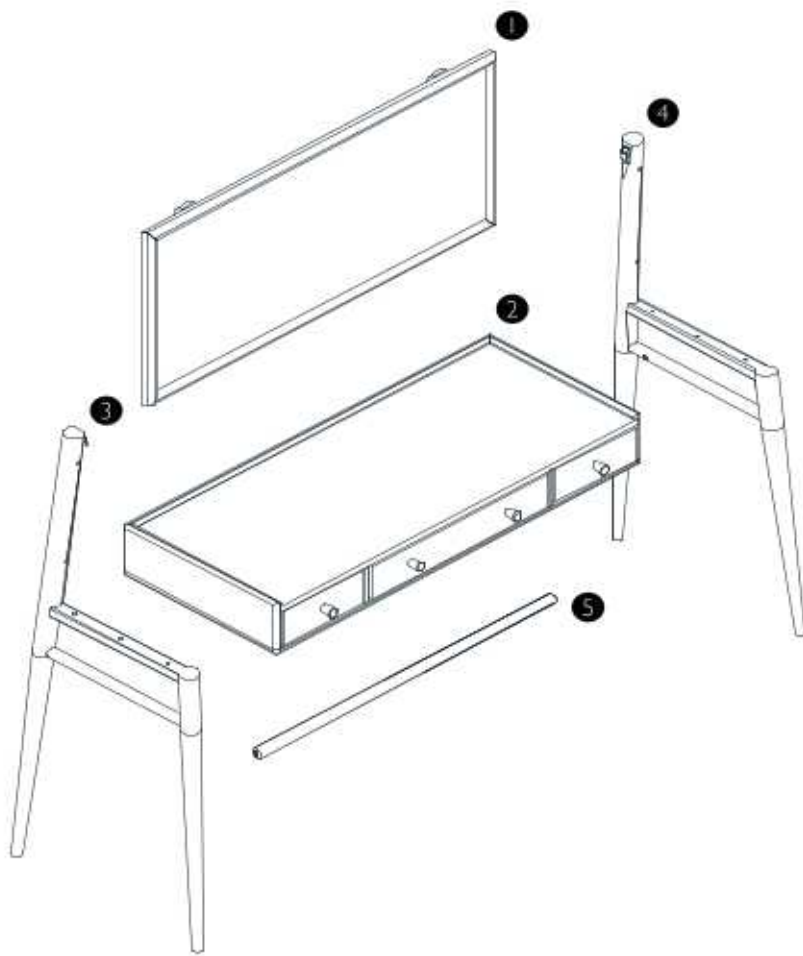
- ✓ Check the pack and make sure you have all the parts listed.
- ✓ Check all screws or bolts are tightened and inspect regularly.
- ✓ Make sure the legs remain in contact with the ground at all times.

## Don'ts

- ✗ Do not over tighten screws or bolts.
- ✗ Do not stand on the product.
- ✗ Do not use power tools to construct as overtightening and panel failure may occur.



# Your dressing table



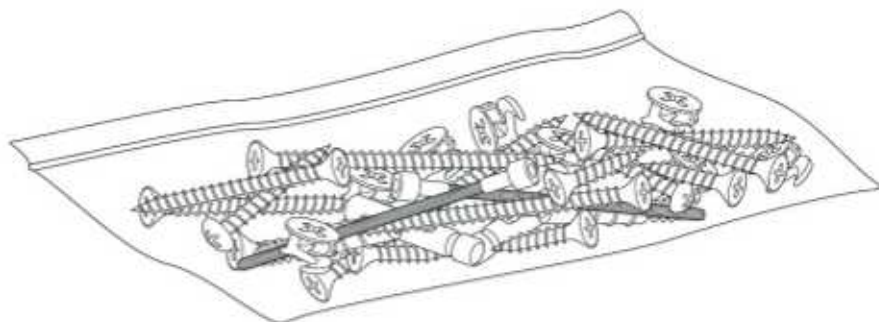
Ref	Description	Dimensions	Qty
①	Mirror Frame	25mm x 450mm x 950mm	1
②	Carcass	137mm x 420mm x 1000mm	1
③	L/H End Frame	87mm x 517mm x 1120mm	1
④	R/H End Frame	87mm x 517mm x 1120mm	1
⑤	Stretcher Rail	25mm x 25mm x 818mm	1

Internal dimensions

Stock number: 4176 / 455

Dressing table overall size: H130 W100 D50cm





# Fixtures and fittings



Fixtures and fittings  
supplied (actual size)

Ref	Description	Dimensions	Qty	mm
<b>A</b>	Allen Head Bolt	6mm x 35mm	6	
<b>B</b>	Allen Head Bolt	6mm x 60mm	2	
<b>C</b>	Screw	3.5mm x 16mm	1	

Fixtures and fittings  
supplied (not actual size)

Ref	Description	Dimensions	Qty	
<b>D</b>	Allen Key M4		1	
<b>E</b>	Wedge		2	
<b>F</b>	Adjustable Buffer		2	
<b>G</b>	Textile Strap	15cm	1	

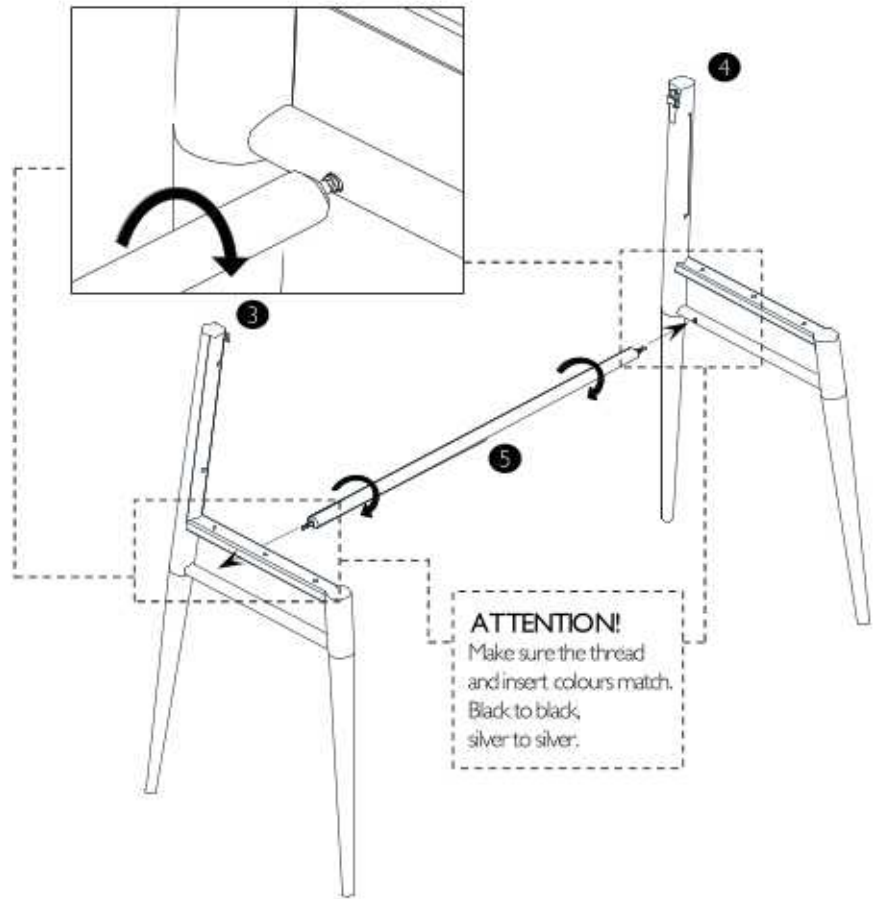
# Product Assembly

Winslow Dressing Table  
4176

## Step 1

Parts, fittings and tools

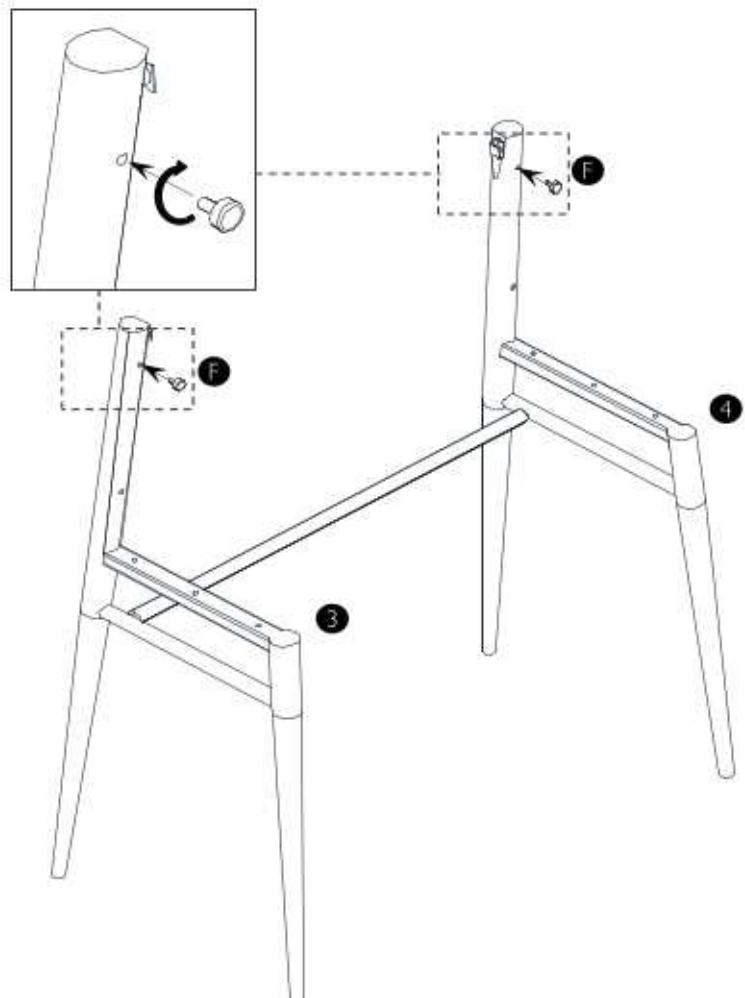
3 4 5



## Step 2

Parts, fittings and tools

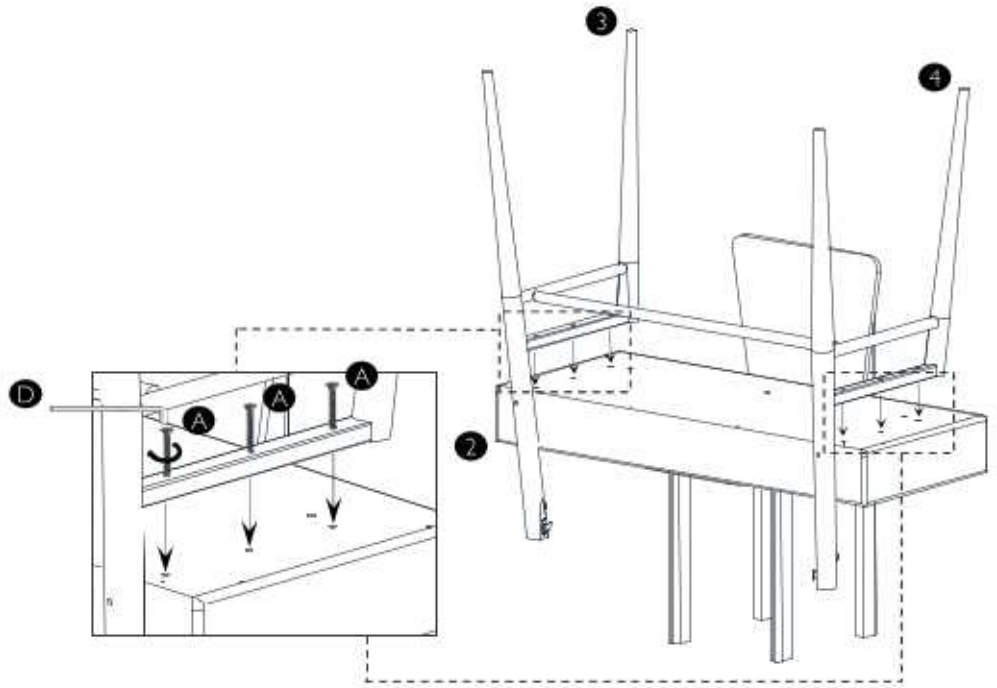
3 4 F



### Step 3

Parts, fittings and tools

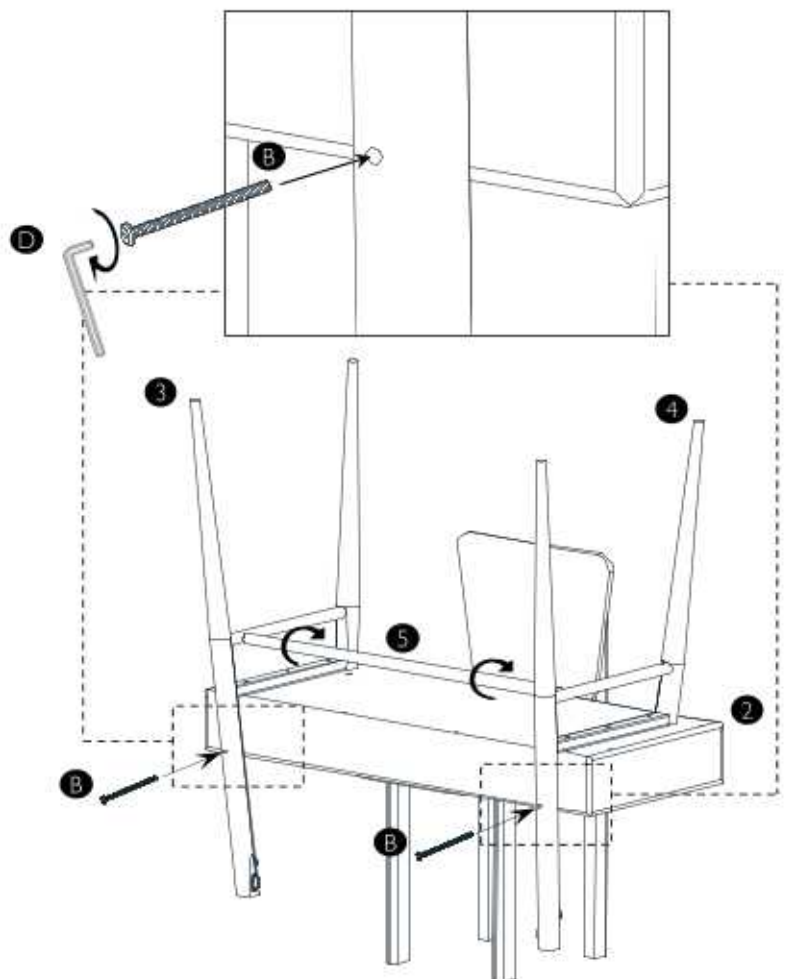
- 2
- 3
- 4
- D



### Step 4

Parts, fittings and tools

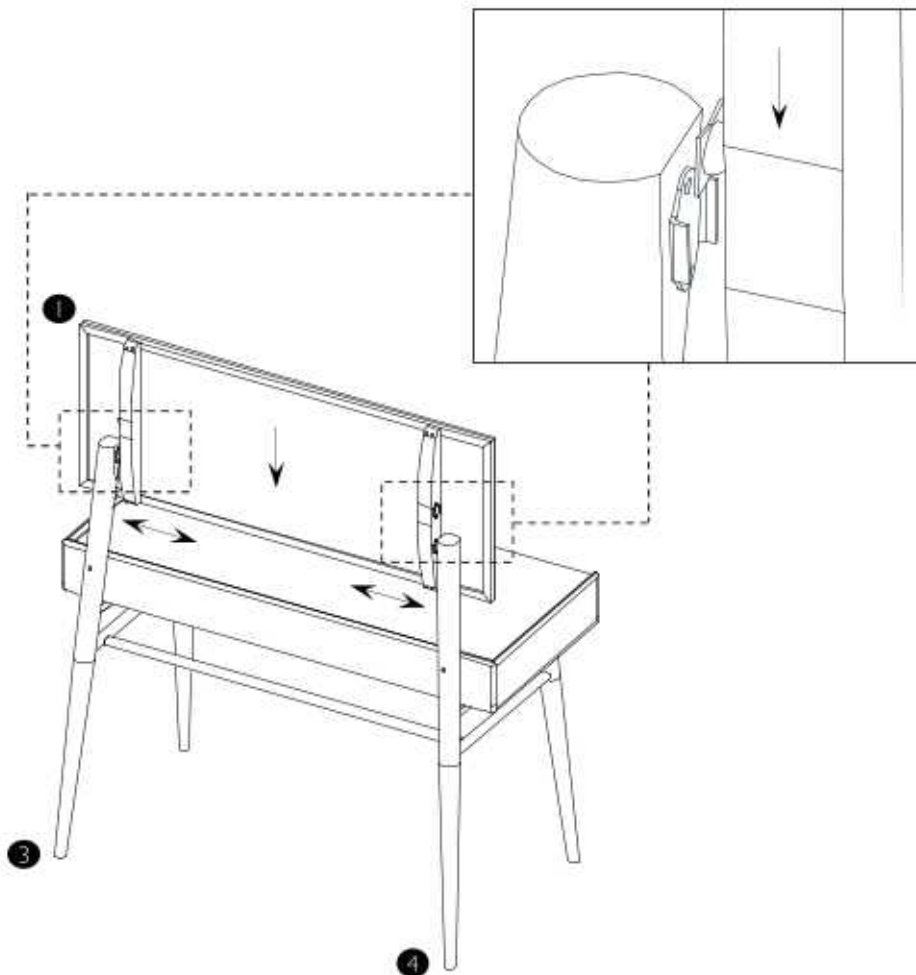
- 2
- 3
- 4
- 5
- B
- D



## Step 5

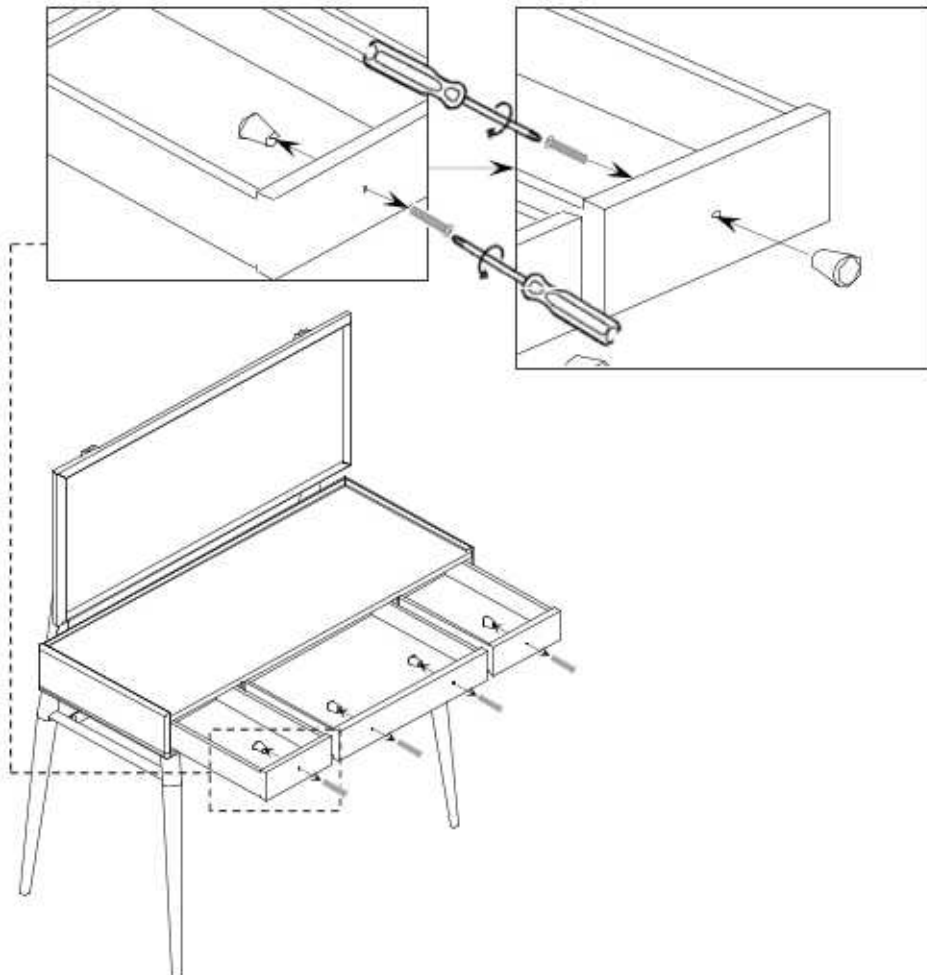
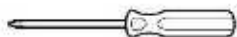
Parts, fittings and tools

- 1 3 4



## Step 6

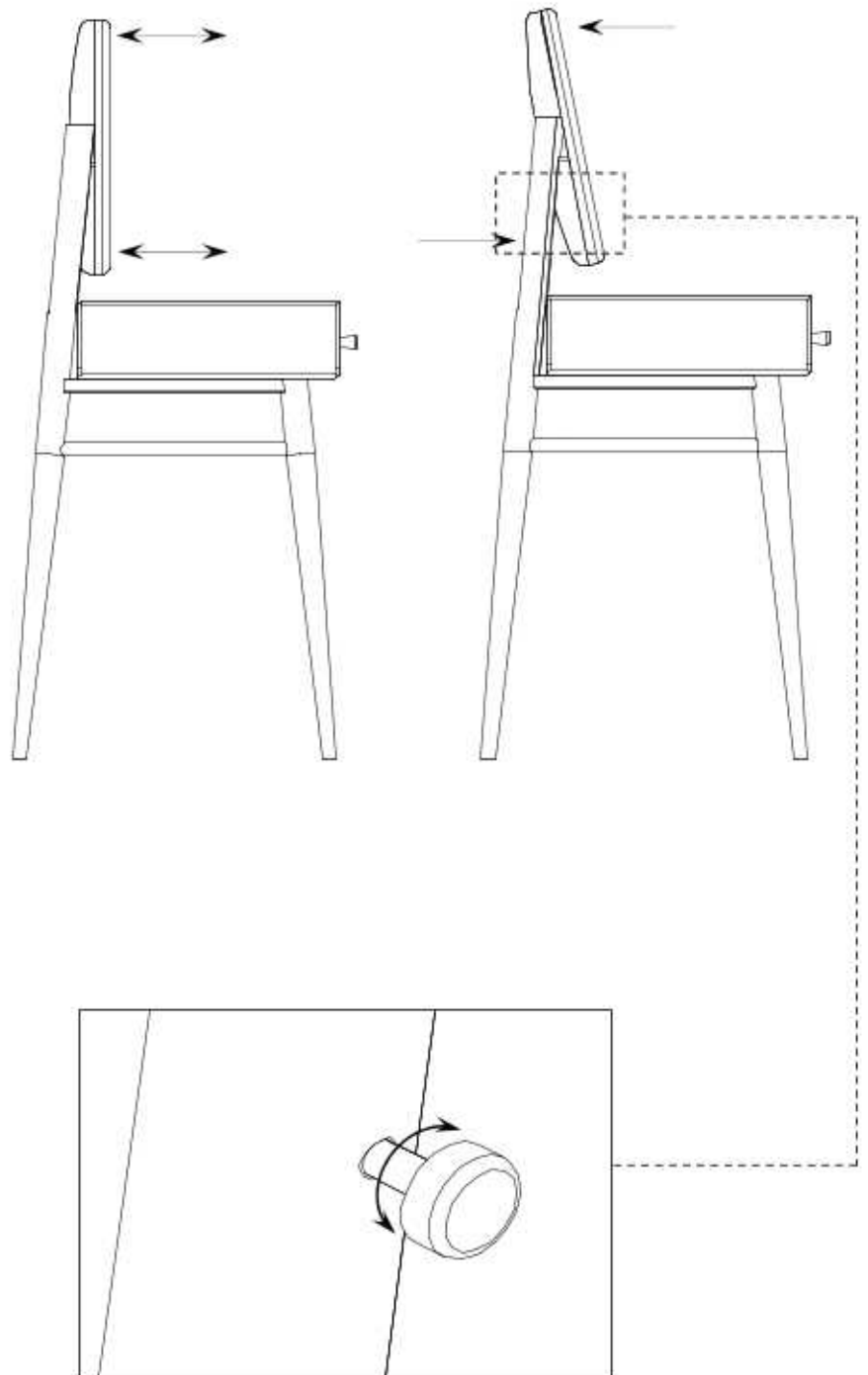
Parts, fittings and tools





## Step 7

Parts, fittings and tools

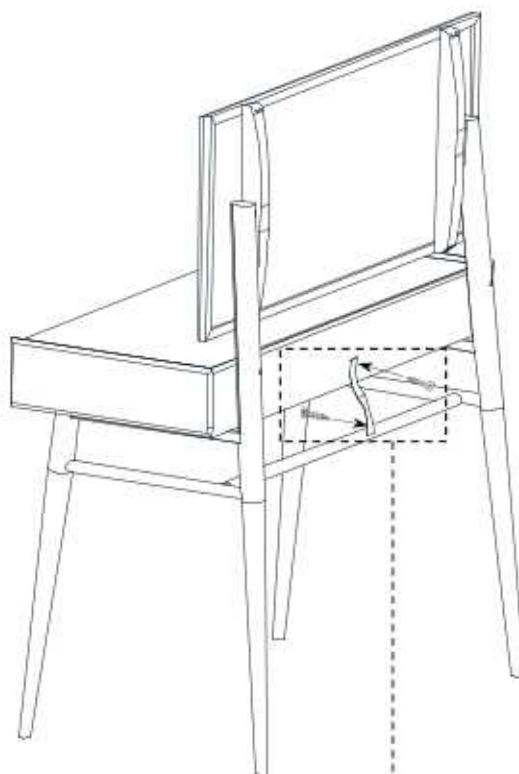


## Wall Mounting

Parts, fittings and tools

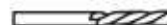
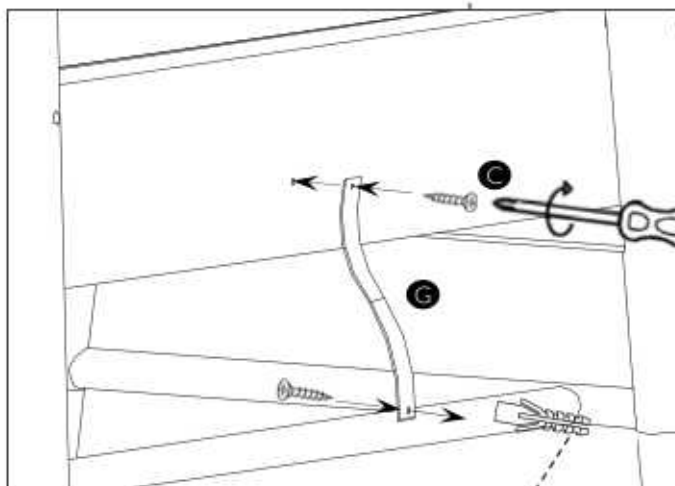


Screw the textile strap on to the back of the item at centre point using pilot hole and short screw provided. Position the item against the wall where you want it to go. mark the wall with a pen for drilling. Drill the wall and attach the textile strap to the wall using the correct wall fixing (see page 11)



### Warning

Serious or fatal crushing injuries can occur from furniture tipping over. To prevent this furniture tipping over it must be permanently fixed to the wall.



Wall attached item only.

## A guide to wall mounting and fixings



### Warning

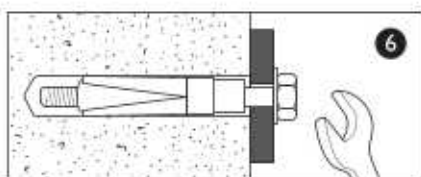
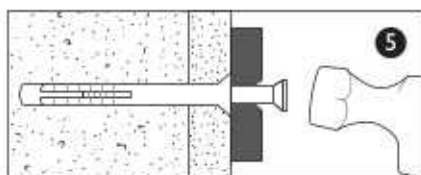
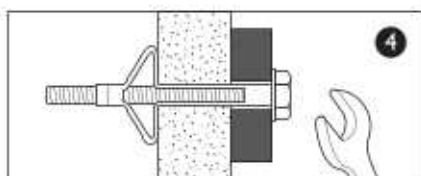
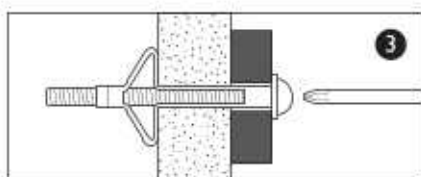
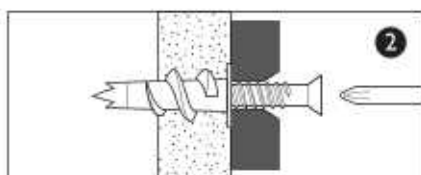
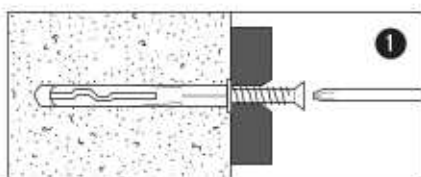
Serious or fatal crushing injuries can occur from furniture tipping over.

To prevent this furniture from tipping over it must be permanently fixed to the wall.

Wall fixing screws are not included, since different wall materials require different types of screws / fixings. Please ensure you use the correct screws / fixings for your type of walls and seek professional advice if you are not sure.

Failure of the product due to incorrect fixings is the responsibility of the installer.

**Important:** When drilling into the walls always check that there are no hidden wires or pipes etc.



### Types of walls

You can use one of the following types of wall plug if your walls are made of brick, breezeblock, concrete, stone or wood.

#### 1. General Purpose wall plug

Generally aerated blocks should not be used to support heavy loads, use a specialist fitting in this case. For light loads, general - purpose wall plugs can be used.

#### 2. Plasterboard wall plug

For use when attaching light loads on to plasterboard partitions.

#### 3. Cavity Fixing wall plug

For use with plasterboard partitions or hollow wooden doors.

#### 4. Cavity Fixing - Heavy Duty wall plug

For use when fitting or supporting heavy loads such as shelving, wall cabinets and coat racks.

#### 5. Hammer Fixing wall plug

For use with walls stuck with plasterboard. The hammer fixing allows it to be fixed to the wall rather than the plasterboard. Always check the fixing is secure to the retaining wall.

#### 6. Shield Anchor wall plug - Heavy loads

For use with heavier loads such as TV and Hi-Fi speakers and satellite dishes etc.



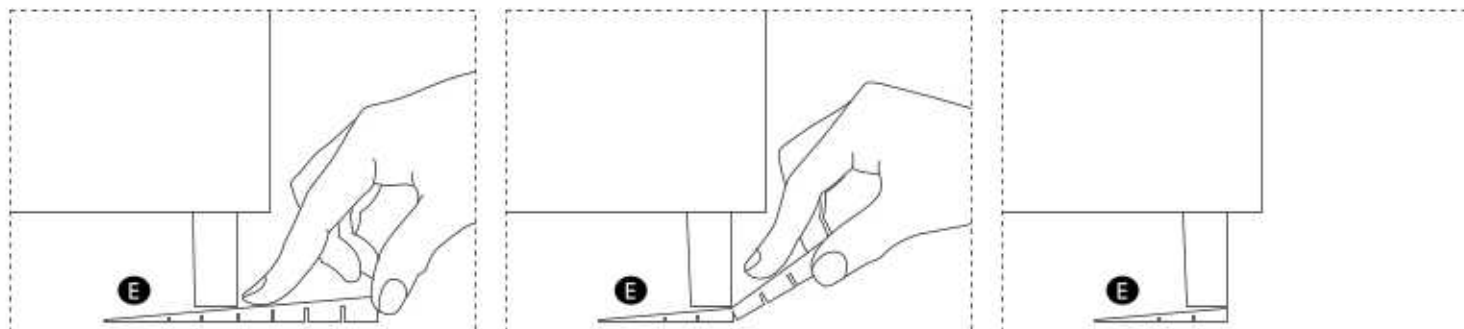
**Safety:** Periodically check all fittings and wall fixings to ensure they have not come loose and retighten as necessary.

## Wedge Instructions

Parts, fittings and tools

**E**

If the drawer chest is not level on your floor use the wedge (E) provided, and snap it off so that it does not protrude out from the chest's leg, you can also snap it lengthways if desired.



## Care and maintenance

### Wood Furniture

Wood displays different grain patterns depending on which way it is cut - for example, the 'medullary ray' which can appear on oak furniture is a mark of good quality timber - these are just characteristics of the natural beauty of the wood. Some furniture is also deliberately aged and rustic.

All timber surfaces will change colour and mellow over time. New furniture will initially vary in shade from items that have been previously purchased.

### How to care for your wood furniture

Furniture with hard lacquer, wax polish or painted surface should be dusted with a dry cloth. When using the surface for serving food and drinks it is best to use protective mats and coasters. Spillages should be wiped up as soon as possible.

Spray polishes are best avoided as they contain silicones which may spoil the furniture's surface by building up over time. Use of cleaning materials containing abrasive compounds, acidic or caustic reagents and any bleaches containing oxidising reagents should be avoided as prolonged use may damage the lacquer surface. Wipe up spills immediately. If sticky marks occur on the surface they can be removed with a dilute solution of warm soapy water. The offending area should be rubbed lightly and then completely dried immediately afterwards, before replacing any mats etc.

Our furniture will endure most temperatures in the home but it is best to avoid placing furniture next to heat sources such as radiators or fires. Be particularly careful with solid wood as the lack of humidity caused by central heating can cause damage such as warping.

### Safety Instructions

Never drag furniture when moving it, always lift it. Please take care when handling or moving the furniture as careless handling may cause damage or injury. No liability will be accepted for damage or injury caused by incorrectly installed furniture.

### PLEASE KEEP THESE INSTRUCTIONS FOR FUTURE REFERENCE

Ercol Furniture Ltd, Summerleys Road, Princes Risborough, Buckinghamshire. HP27 9PX [www.ercol.com](http://www.ercol.com)  
Tel: 01844 271800 Office Hours: 9.00 - 5.00