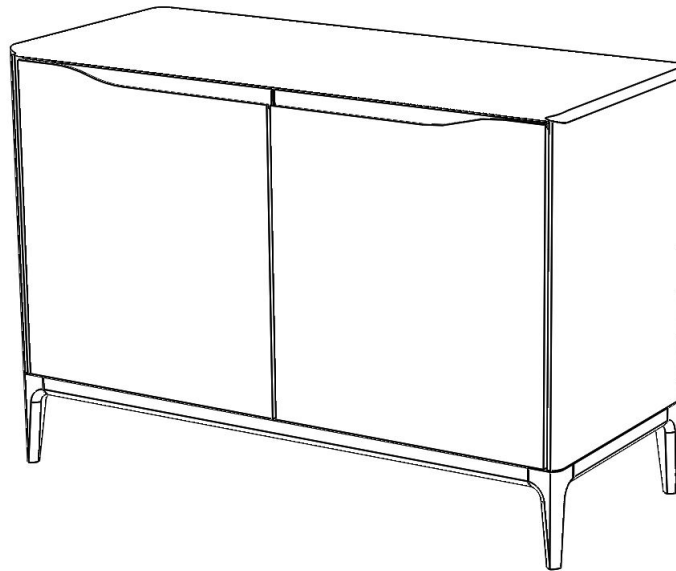


# ercol

2646, 2647, 2648, 2651, 2653 and  
2655 ROMANA CABINETS



---

Thank you for purchasing this Romana Cabinet. Please ensure instructions are read in full.

Before a cabinet leaves the factory, it is levelled and the doors are adjusted to ensure they sit square within the unit. However, during transportation, it is not uncommon for doors to move and it may be necessary to readjust them once they are in your home. It is important you follow the instructions provided with your cabinet to ensure it is levelled correctly at the start, using the wedges supplied. Once the cabinet is level, the doors and drawers can be adjusted to ensure they are correctly aligned if required.

**Levelling using wedges – please turn to page 2**

**In the event of door misalignment – please turn to page 2**

**In the event of a drawer misalignment – please turn to page 3**

**For wall fixing instructions - please turn to pages 3-5**

**If you have any difficulty, please contact your retailer who should be able to help.**

---

Please check the pack contents before attempting to follow these instructions. A full checklist of components is given in this leaflet. If any components are missing, please contact the retailer from whom you bought this product.

This product is HEAVY, it should be assembled as near as possible to the point of use.

TAKE CARE WHEN LIFTING to avoid personal injury and (or) damage to the product.

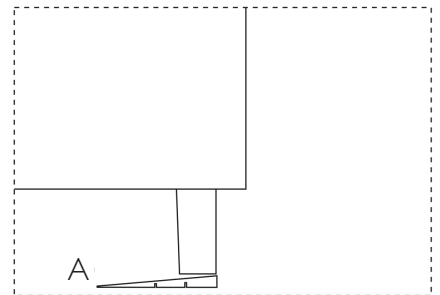
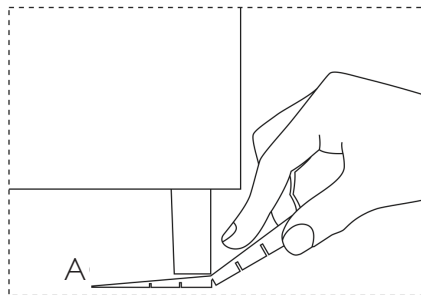
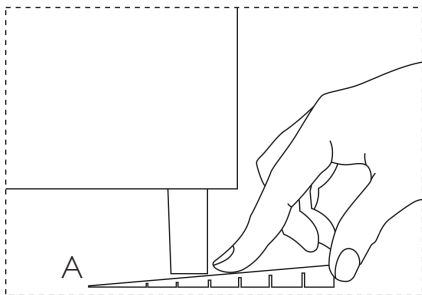
The fittings pack contains SMALL ITEMS which should be KEPT AWAY FROM YOUNG CHILDREN.

## Fittings and parts checklist

A	Wedge x 2	
---	-----------	---

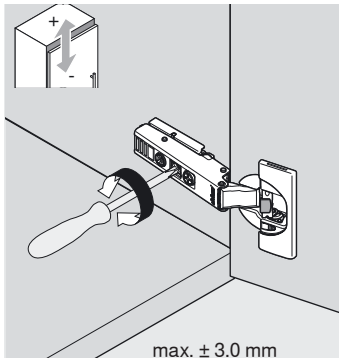
## Using Wedges Instructions

If the cabinet is not level on your floor use the wedges (A) provided, and snap them off so that it does not protrude out from the unit's leg, you can also snap lengthways if desired.



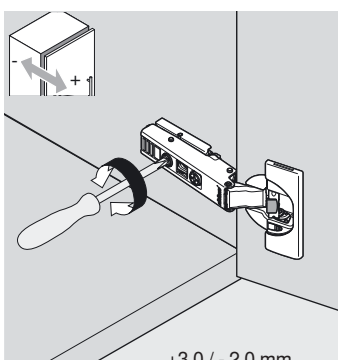
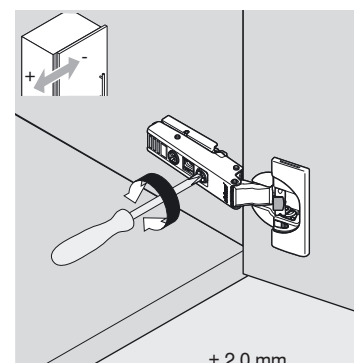
## Adjusting Door Alignment

If the doors on your Romana cabinet is misaligned you may need to adjust the door hinges. If you wish to adjust the doors, please follow the guidelines below:



To adjust the door vertically, adjust the middle screw as shown.

To adjust the door horizontally, adjust the front screw as shown.



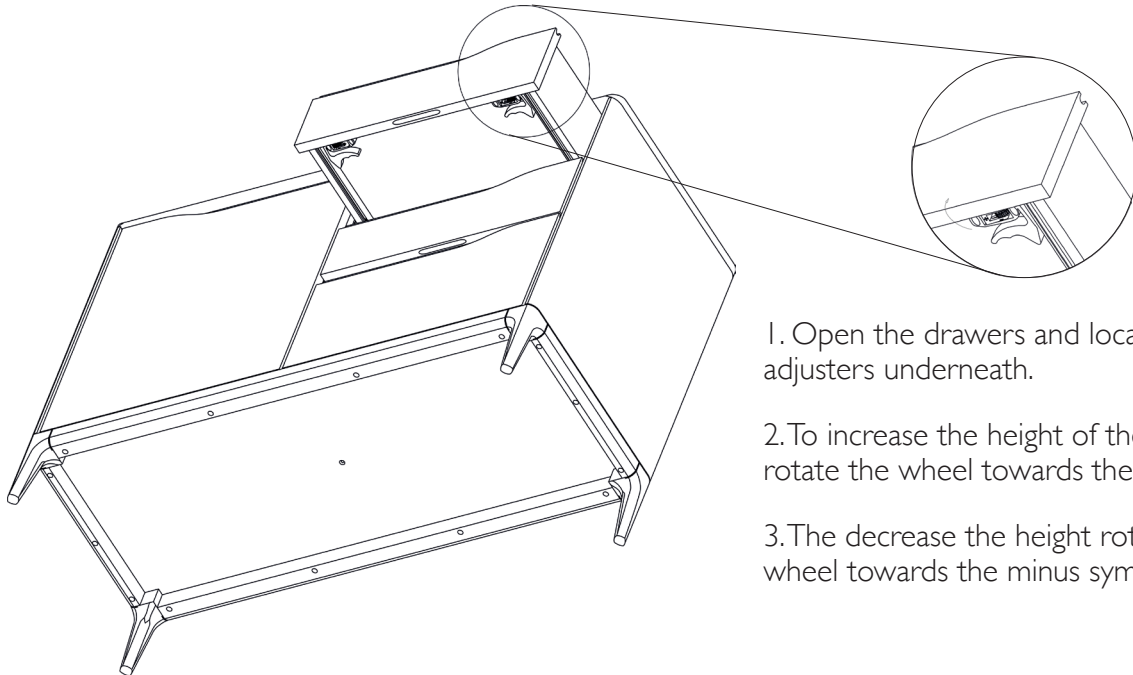
To adjust the door back and forth, adjust the back screw as shown.

---

## Adjusting Drawer Alignment

---

If the drawers on your Romana cabinet is misaligned you may need to adjust the drawer runners. If you wish to adjust the drawers, please follow the guidelines below:



1. Open the drawers and locate the adjusters underneath.
2. To increase the height of the drawer rotate the wheel towards the plus symbol.
3. To decrease the height rotate the wheel towards the minus symbol.

---

## Wall Fixing Instructions

---

Please read the instructions carefully before use to ensure safe and satisfactory operation of this product. Installation should be carried out exactly according to the manufacturer's instructions, otherwise a safety risk can occur if incorrectly installed. Cabinets over 600mm high can be unstable and should be supported until fixed to the wall.

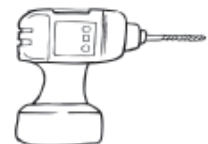
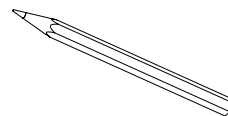
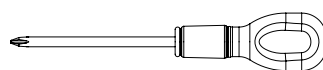
**WARNING: In order to prevent overturning this product must be used with the wall attachment device provided.**

---

**This item is heavy**



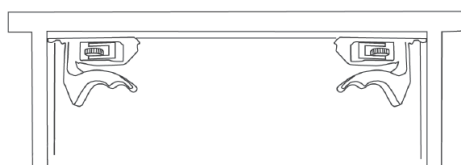
**Necessary Tools**

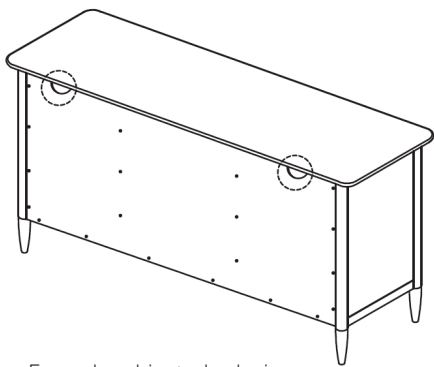


---

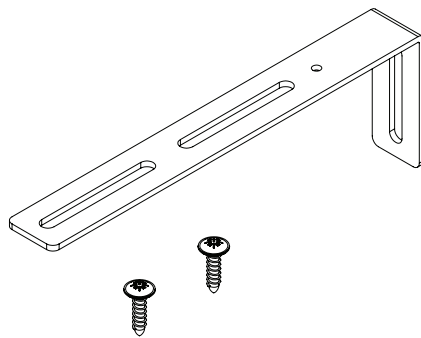
## Cabinets with Drawers

To access the back of the unit you may have to remove a drawer. To take the drawer out, open it then grip the catch handles on either side of the underneath of the drawer and pull them towards you to release the drawer. Reverse these instructions to replace.

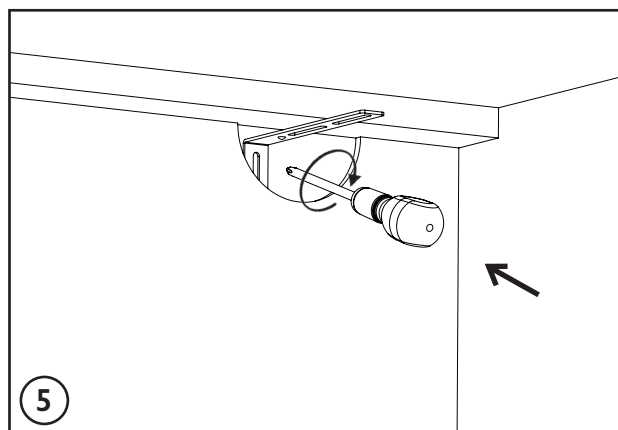
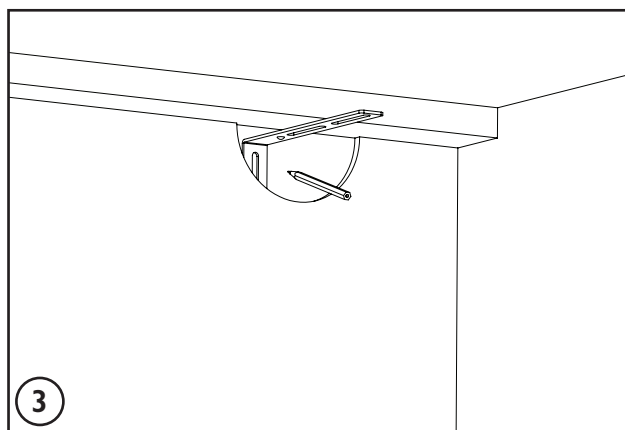
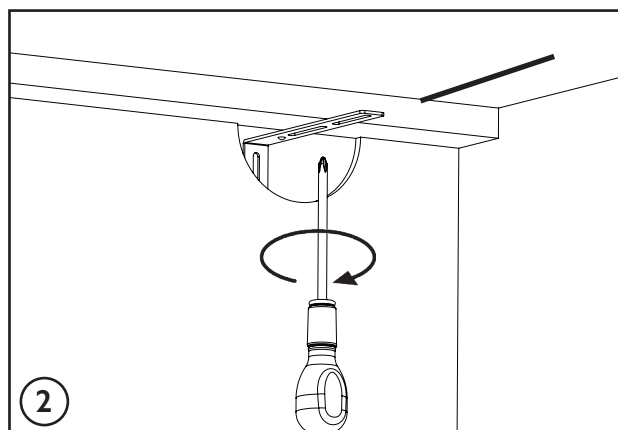
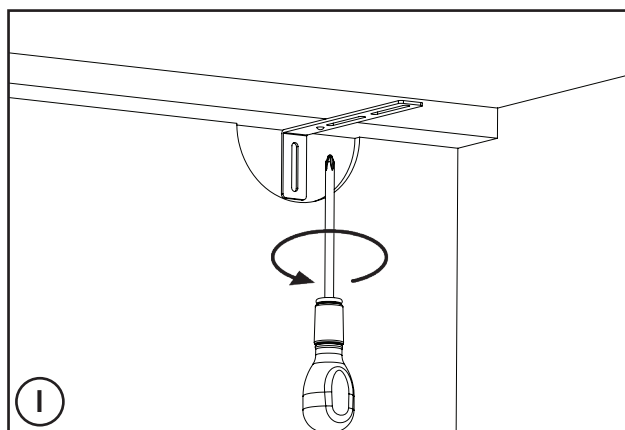
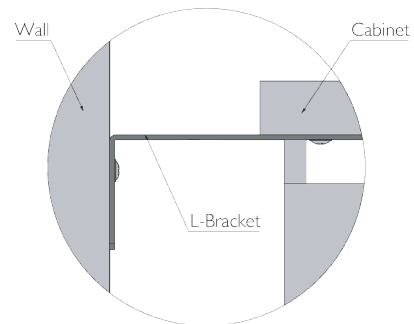




Example cabinet - back view



Fittings



Step 1. Place the furniture in the desired position. Loosen the screws on the metal bracket just enough that it can be extended to meet the wall.

Step 2. Re-secure the screws in the cabinet.

Step 3. Mark the wall with a pencil, through the hole in the short face of the bracket, for a pilot hole.

Step 4. Move the furniture away from the wall. Check for pipes and electrical cables in the wall, before drilling the pilot hole. Ensure you use an appropriate wall fixing type for your wall's construction (See page 6).

Step 5. Place the unit in its final position and make sure it is still level. Secure the unit to the wall with the wall bracket supplied, and your own appropriate wall fixings.

## Warning

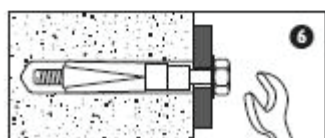
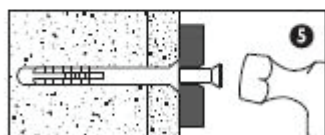
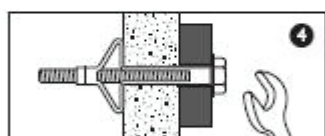
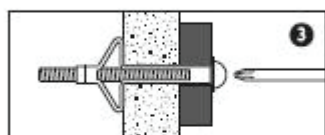
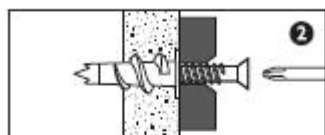
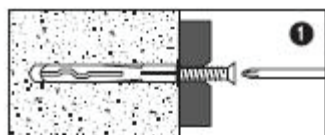
Serious injuries can occur from furniture tipping over.

To prevent this furniture from tipping over it must be permanently fixed to the wall.

Wall fixing screws are not included, since different wall materials require different types of screws / fixings. Please ensure you use the correct screws / fixings for your type of walls and seek professional advice if you are not sure.

Failure of this furniture due to incorrect fixings is the responsibility of the installer.

**Important:** When drilling into the walls always check that there are no hidden wires or pipes etc.



## Types of walls

You can use one of the following types of wall plug if your walls are made of brick, breezeblock, concrete, stone or wood.

1. General Purpose wall plug

Generally aerated blocks should not be used to support heavy loads, use a specialist fitting in this case. For light loads, general - purpose wall plugs can be used.

2. Plasterboard wall plug

For use when attaching light loads on to plasterboard partitions.

3. Cavity Fixing wall plug

For use with plasterboard partitions or hollow wooden doors.

4. Cavity Fixing - Heavy Duty wall plug

For use when fitting or supporting heavy loads such as shelving, wall cabinets and coat racks.

5. Hammer Fixing wall plug

For use with walls stuck with plasterboard. The hammer fixing allows it to be fixed to the wall rather than the plasterboard. Always check the fixing is secure to the retaining wall.

6. Shield Anchor wall plug - Heavy loads

For use with heavier loads such as TV and Hi-Fi speakers and satellite dishes etc.

Safety: Periodically check all fittings and wall fixings to ensure they have not come loose and retighten as necessary.

## Customer Care

### Wood Furniture

Wood displays different grain patterns depending on which way it is cut - for example, the 'medullary ray' which can appear on oak furniture is a mark of good quality timber - these are characteristics of the natural beauty of the wood. All timber surfaces will change colour and mellow over time. New furniture will initially vary in shade from items that have been previously purchased.

### Safety Instructions

Never drag furniture when moving it, always lift it. Take care when handling or moving the furniture as careless handling may cause damage or injury. No liability will be accepted for damage or injury caused by incorrectly installed furniture.

**PLEASE KEEP THESE INSTRUCTIONS FOR FUTURE REFERENCE**

Ercol Furniture Ltd, Summerleys Road, Princes Risborough, Buckinghamshire. HP27 9PX [ercol.com](http://ercol.com)